



General Specifications:

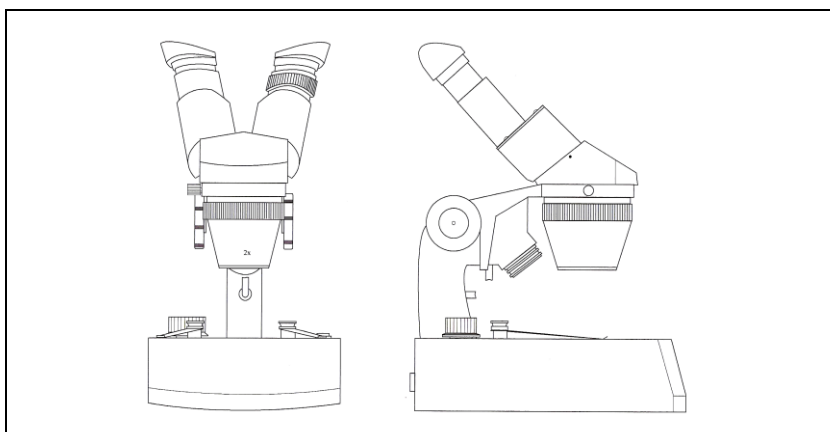
Two 10x Wide Field Eye Pieces
 Two Rubber Eye Cups
 Eye Pieces mounted at 45° in Microscope Head
 Microscope Head can be turned through 360°
 Eye Piece width adjustment: 50 – 75mm
 Vision correction adjustment
 2x and 4x Objective Lenses mounted in revolving turret
 Standard viewing magnification: 20x and 40x mag.
 Max. working height between stage plate and turret 94mm
 Rack and pinion focussing and height adjustment 50mm
 Illumination options: via a 4 position switch

1. Off /On
2. Top Incident light only
3. Bottom transmitted light only
4. Both incident & transmitted light together

Fitted opaque glass stage plate 95mm diameter
 Additional reversible black/white plate 95mm diameter
 Two specimen clips
 Primary voltage: 230V AC
 Secondary voltage: 12V 10W

Packed Weight and Dimensions

Code	Description	Weight g	W mm	H mm	L mm
59-020-060	Stereo Microscope Deluxe	3269	170	350	275
59-020-061	Illumination Lamps: Halogen 12V – 10W	2	20	20	50
59-020-061	Eye Piece 15X mag.	60	45	45	80
59-020-062	Eye Piece 20X mag.	60	45	45	80
59-020-065	Eye Piece 10X mag. with Measuring Scale	60	45	45	80



Parts List

- 1 Rubber Eye Cups
- 2 Vision Correction Ring
- 3 Wide Field Eye Piece
- 4 Microscope Head
- 5 Objective Lens Turret
- 6 Top Illumination
- 7 Height Adjustment / Focussing Wheels
- 8 Illumination Switch
- 9 Specimen Clips
- 10 Fuse Holders
- 11 Head Rotation Clamp Screw

Accessories:

Code	Description	Additional Information
59-020-041	Eye Piece 15X mag.	
59-020-042	Eye Piece 20X mag.	
59-020-045	Eye Piece 10X mag. with Measuring Scale:	Marked: Horizontal Scale: 0-16mm, grads 0.1mm Vertical Scale: 0-16mm, grads 0.5mm Angles: 30, 45 & 60 degrees
59-020-061	Illumination Lamps: Halogen 12V – 10W Glass Fuse: 250VT1A	Same lamp for both top and bottom illumination 2 required

Stereo Microscope: 59-020-060

Page 2 of 2

Magnification Data

Required Viewing Magnification	Wide field Eyepiece Magnification	Objective Lens Magnification	Focal Length mm	Field of View mm
20	10	2	63	10
40	10	4	63	5
30	15	3	63	6
60	15	4	63	3
40	20	2	63	3
80	20	4	63	1.5

Operating Instructions:

Carefully unpack the microscope from its fitted shipping box

Remove the protective plastic bag which covers the microscope

Place the microscope onto a solid working surface

Remove the two wide field eye pieces from their plastic tubes and fit into the microscope head

It will be necessary to loosen the small cross head screw situated in the lens mounting tube to allow the lens to be fully seated. This screw should be retightened so that it locates in to the annular groove in the lens body and stop it from being removed

Fit the rubber eye cups to the eye pieces

Loosen Microscope Head Rotation Screw and rotate head to desired viewing position and re-tighten screw

Remove the protective plastic disc from below the objective lens turret

Connect the plug to the mains supply

Rotate the objective lens turret to positively engage either the 2x or 4 x lenses

Fit the stage plate with the desired colour facing up

Place the work piece on to the stage plate

Unclamp microscope head using column clamp screw

Move the microscope head so that there is approximately 63mm between the bottom of the objective lens turret and the face of the work piece. Clamp in this position

Switch on the required illumination

1. Off / On

2. Top Incident light only

3. Bottom transmitted light only

4. Both incident & transmitted light together

Look in to the eye pieces and adjust to suit your eye width distance by pulling or pushing the lenses apart

Rotate the height adjustment wheel to gain focus on the work piece

Once general focussing has been achieved, final focussing can be carried out to balance any magnification difference between your eyes by adjusting the vision correction ring situated on the left hand lens mount

The microscope head can be locked in this position by using the "C" spanner provided to tighten the locking collar situated on one of the adjusting knob spindles

Instrument Care:

Do not dismantle any part of the optical system

Clean the magnification lenses only, with soft clean dry paper