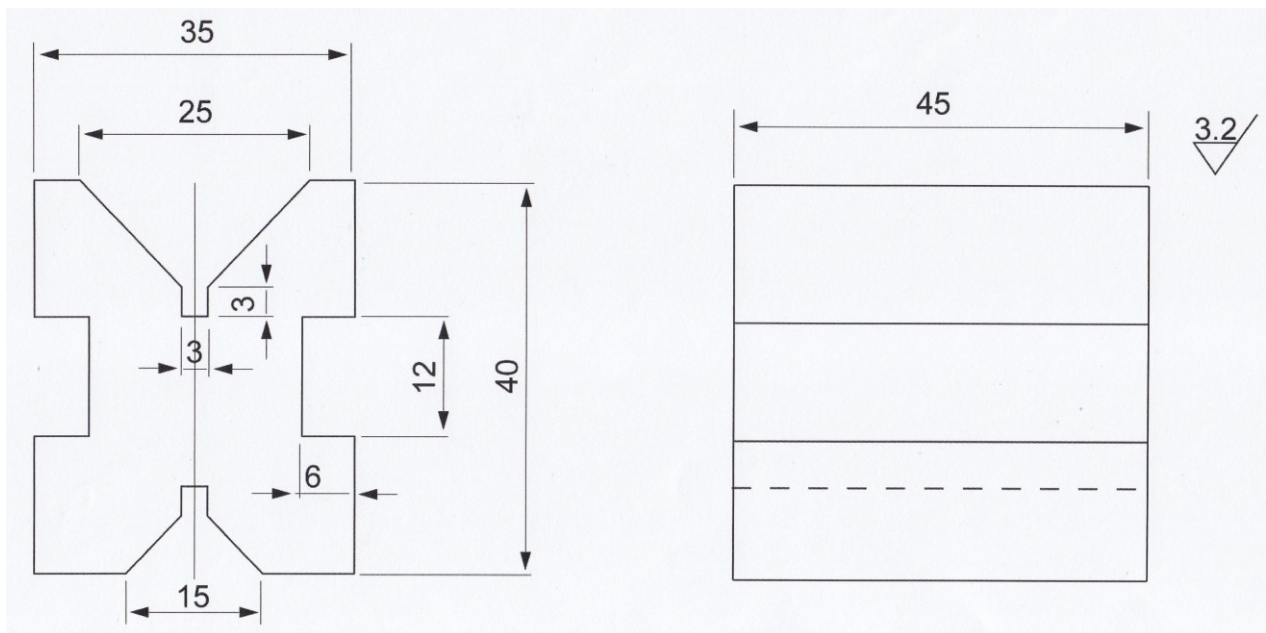


Manufactured from Carbon Steel 45#
 Hardness HRC 55 - 62°
 Supplied in matched pairs with clamps
 Matched Pair Accuracy: 0.005mm

Full Accuracy Specifications: See tables below

Packed Weight and Dimensions

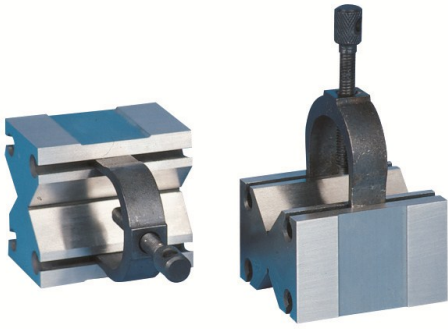
Code	Description	Weight g	W mm	H mm	L mm
52-475-905	Vee Blocks	1300	110	85	90



Code	H mm	W mm	Length mm	Max. Working Dia. Large Vee mm	Max. Working Dia. Small Vee mm
52-475-905	40	35	45	25	15

Tolerance for Height, Width and Length dimensions: 0.3 – 0.5mm

Code	Flatness of Working Surfaces	Squareness of End and Side Faces to Base	Centrality of Vee to Sides of Vee Block
52-475-905	0.005mm	0.005mm	0.005mm

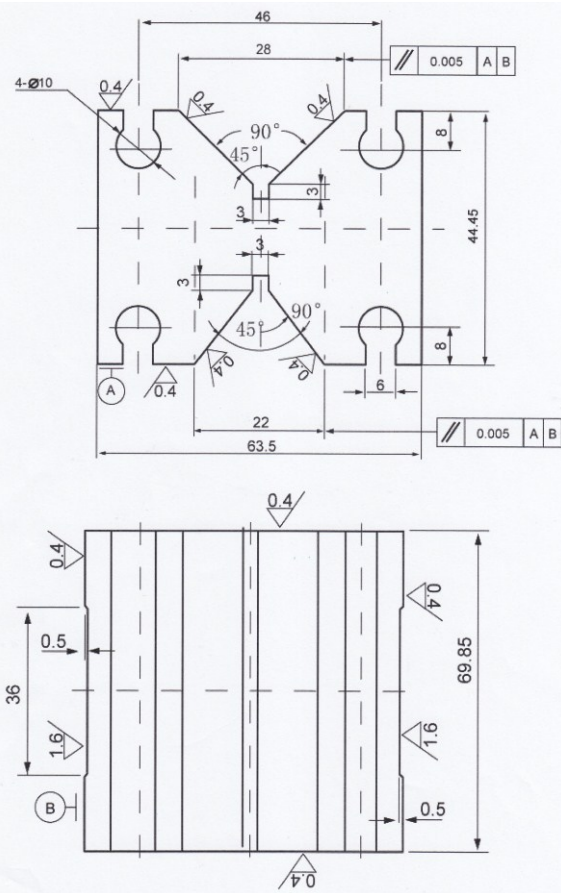


Manufactured from Carbon Steel 45#
 Hardness HRC 55 - 62°
 Supplied in matched pairs with clamps
 Matched Pair Accuracy: 0.005mm

Full Accuracy Specifications: See tables below

Packed Weight and Dimensions

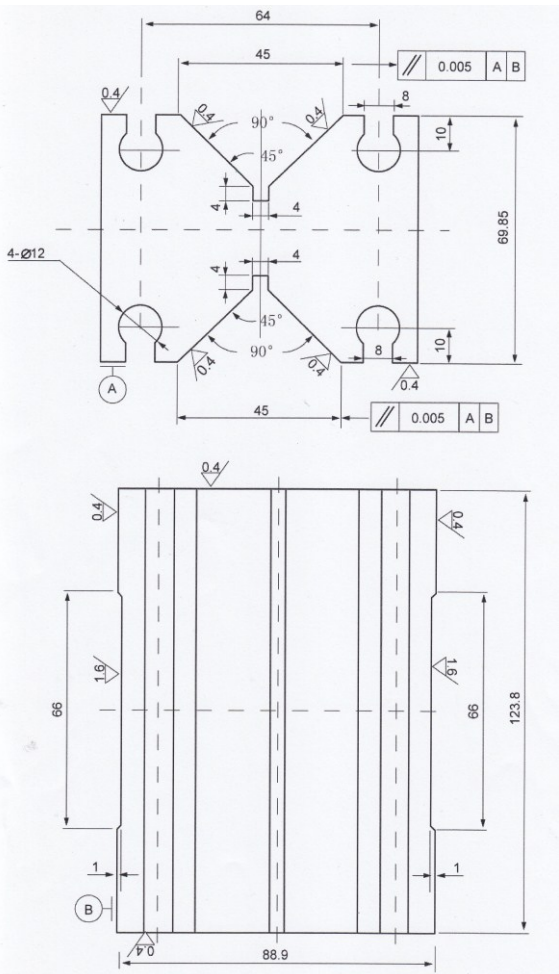
Code	Description	Weight g	W mm	H mm	L mm
52-475-915	Vee Blocks	2500	155	85	115
52-475-920	Vee Blocks	10600	210	105	150



Code	H mm	W mm	Length mm	Max. Working Dia. Large Vee mm	Max. Working Dia. Small Vee mm
52-475-915	45	63	70	28	22

Tolerance for Height, Width and Length dimensions: 0.3 – 0.5mm

Code	Flatness of Working Surfaces	Squareness of End and Side Faces to Base	Centrality of Vee to sides of Vee Block
52-475-915	0.005mm	0.010mm	0.005mm



Code	H mm	W mm	Length mm	Max. Working Dia. Large Vee mm	Max. Working Dia. Small Vee mm
52-475-920	70	89	124	45	45

Tolerance for Height, Width and Length dimensions: 0.3 – 0.5mm

Code	Flatness of Working Surfaces	Squareness of End and Side Faces to Base	Centrality of Vee to sides of Vee Block
52-475-920	0.0075mm	0.0125mm	0.005mm