



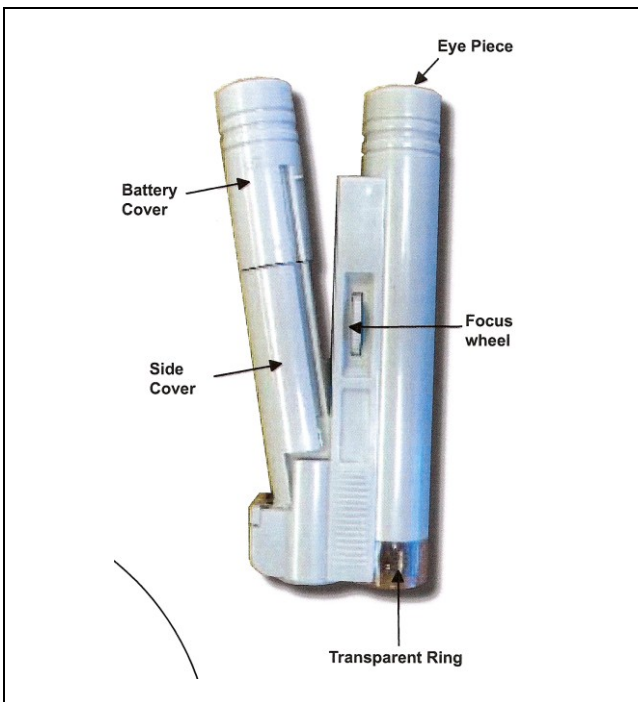
Illuminated Microscope:

Magnification: 40X
 Measuring Scale: 4mm wide
 Illumination: Blue filtered light
 Lightweight: 110grms with batteries fitted
 Overall Height: 140mm

Supplied with protective pouch
 Batteries not supplied

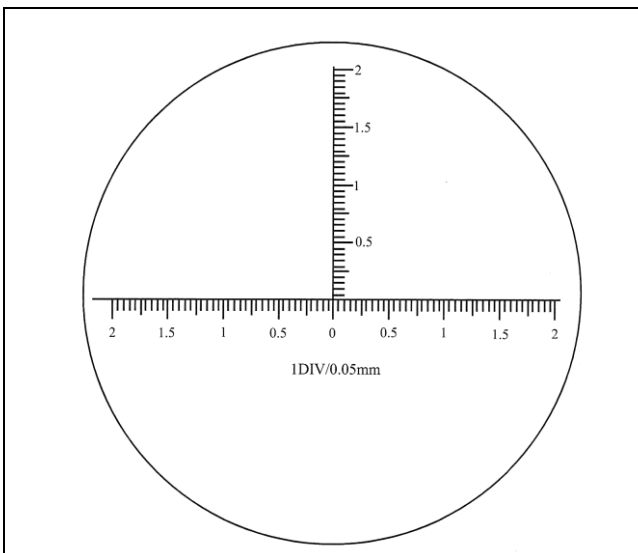
Packed Weight and Dimensions

Code	Weight g	W mm	H mm	L mm
59-675-040	88	54	32	155



Operation:

Pull tubes apart to switch on illumination
 Place transparent ring directly onto the surface to be viewed
 Look through eyepiece
 Adjust focus wheel to make image clear
 Align measuring scale with component image to be measured
 Read length of scale between the 2 points being measured



Reticule Scale:

Horizontal Scale: 4mm x 0.05mm divisions
 Vertical Scale: 2mm x 0.05mm divisions



Fig. 1

Battery Fitting:

Pull the 2 tubes apart (Fig 2)
Push battery cover upwards to remove (Fig 1)
Insert 2 x AA batteries with positive ends towards bulb
Replace battery cover

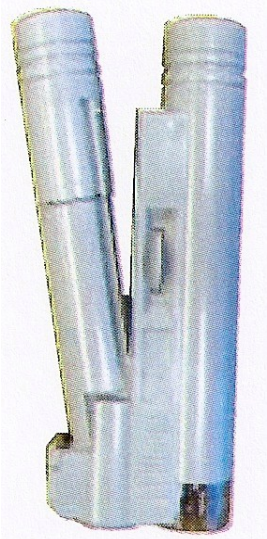


Fig.2

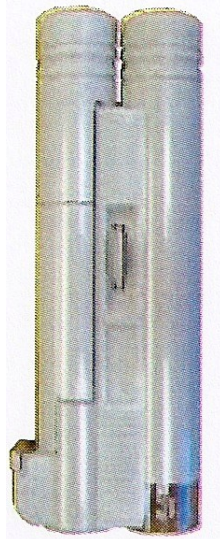


Fig.3


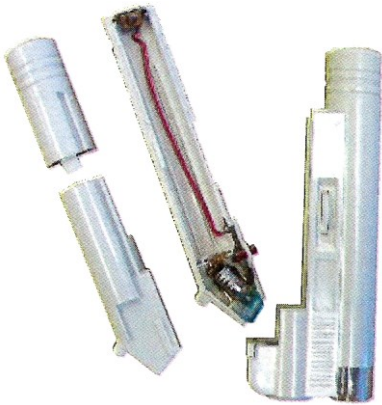
Illumination:

Pull tubes apart to switch on illumination (Fig 2)
Push tubes together to switch off illumination (Fig 3)

Replacing Illumination Bulb and LED

Models prior to 2011 were fitted with a push in bulb 2.2v x 2.5A code 52-675-041
Current models are fitted with a hard wired LED code 52-675-042

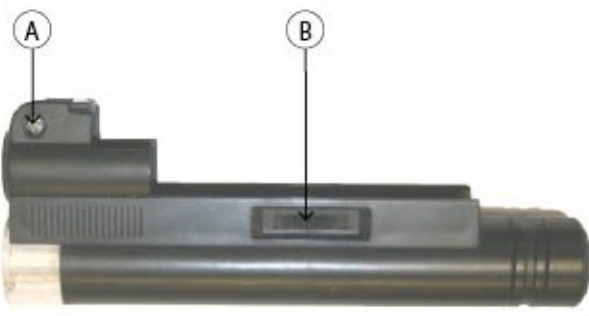
Fitting Replacement Bulb

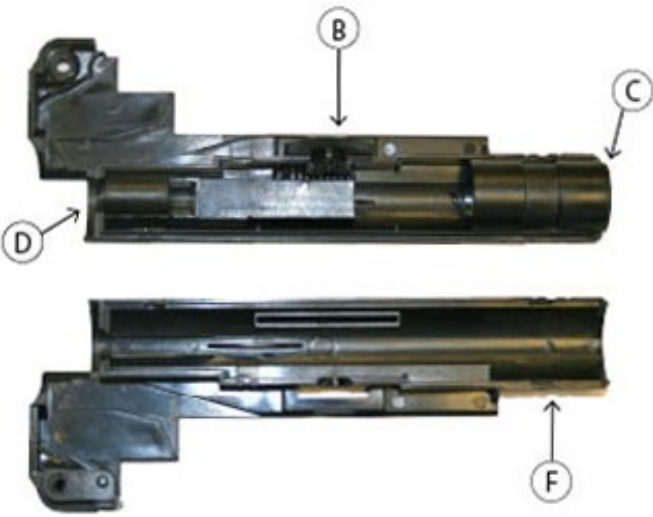
 <p>Fig.4</p>	 <p>Fig.5</p>	<p>Fitting Replacement Bulb:</p> <p>Bulb Code: 59-675-041 (2.2v x 2.5A)</p> <p>Pull illumination tube from microscope body (Fig 4) Remove battery cover and batteries (Fig 1) Pull side cover away from body (Fig 5) Pull out used bulb Replace new bulb Replace side cover Replace batteries and battery cover Locate side lugs of illumination tube into microscope body, and push firmly to snap back into position</p>
---	--	--

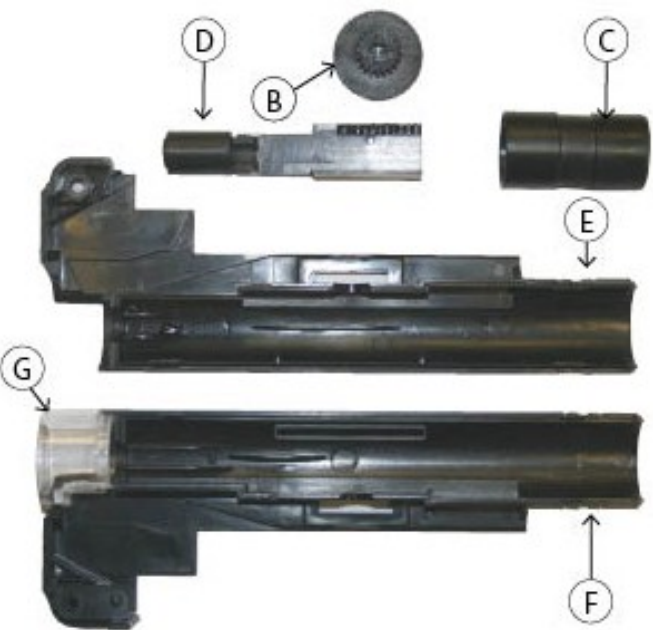
Fitting Replacement LED

	<p>Fitting Replacement LED:</p> <p>LED Code: 59-675-042</p> <p>Pull illumination tube from microscope body (Fig 4) Remove battery cover and batteries (Fig 1) Pull side cover away from body (Fig 5) De-solder faulty LED taking care not to melt any surrounding plastic parts Pull LED head from clear plastic mount Replace new LED in position, trim legs to length and solder each leg to contact connection Replace side cover Replace batteries and battery cover Locate side lugs of illumination tube into microscope body, and push firmly to snap back into position</p>
--	---

Cleaning Internal Lens Surfaces

	<p>Assembly Parts:</p> <p>A: Fixing Screw B: Focus Wheel C: Top Lens with Scale D: Bottom Lens on Focus Carriage E: Half Body A for Focus Carriage Location F: Half Body B G: Clear Plastic Ring</p>
---	--

	<p>Disassembly Instructions;</p> <ol style="list-style-type: none"> 1 Remove Fixing Screw A 2 Carefully prise Half Body E and F apart 3 Remove Focus Wheel B 4 Remove Focus Carriage D 5 Remove Top Lens C 6 Remove Plastic Ring G (note position for later replacement)
---	--

	<p>Lens Cleaning:</p> <p>With a soft clean dry cloth carefully remove any dust or marks from the top and bottom faces of both the Top Lens C and Bottom Lens D assemblies</p> <p>Assembly:</p> <ol style="list-style-type: none"> 1 Replace the Focus Carriage D in Half Body A 2 Replace The Focus Wheel B in the half hole in Half Body A ensuring that the gear wheel meshes correctly with the rack on the Focus Carriage D 3 Replace the Top Lens C in half Body A 4 Replace the Plastic Ring G in half Body A 5 Position Half Body F over Half Body E and clip together 6 Finally replace fixing Screw A 7 Reassemble Microscope for use
--	---