



Hexagonal Die Nuts

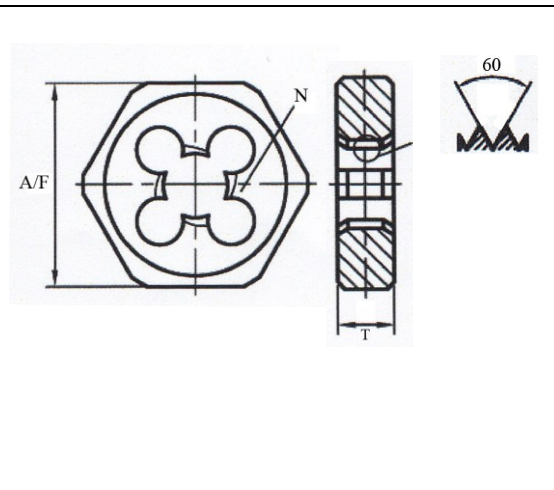
For reclamation of screw threads

Metric Coarse BS 1127:1950

Tolerance 6g

Chamfer lead 1.5 threads

Cutting rake 3°



Code	Size mm	Pitch mm	A/F mm	T mm	N
21-690-030	3.0	0.5	19	5	3
21-690-040	4.0	0.7	19	5	3
21-690-050	5.0	0.8	19	7	4
21-690-060	6.0	1.0	19	7	4
21-690-080	8.0	1.25	22	9	4
21-690-100	10.0	1.5	27	11	4
21-690-120	12.0	1.75	36	14	4
21-690-140	14.0	2.0	36	14	5
21-690-160	16.0	2.0	41	18	5
21-690-180	18.0	2.5	41	18	5
21-690-200	20.0	2.5	41	18	6

Packed Weight and Dimensions

Code	Size mm	Pitch mm	Weight g	W mm	H mm	L mm
21-690-030	3.0	0.5	10	28	11	28
21-690-040	4.0	0.7	13	28	11	28
21-690-050	5.0	0.8	12	28	11	28
21-690-060	6.0	1.0	13	28	11	28
21-690-080	8.0	1.25	17	33	13	33
21-690-100	10.0	1.5	23	33	13	33
21-690-120	12.0	1.75	50	46	19	46
21-690-140	14.0	2.0	73	53	22	53
21-690-160	16.0	2.0	60	46	19	46
21-690-180	18.0	2.5	104	53	22	51
21-690-200	20.0	2.5	100	53	22	53

Product: Die Nuts Metric Coarse

Page 2 of 2

Sets:



Hexagonal Die Nut Sets

For reclamation of screw threads

Metric Coarse BS 1127:1950

Tolerance 6g

Chamfer lead 1.5 threads

Cutting rake 3°

Two sets available both housed in a fitted storage box

Packed Weight and Dimensions

Code	Description	Weight g	W mm	H mm	L mm
21-690-SET	Die Nut Set 5 Piece: M5 – M12	254	140	45	170
21-699-SET	Die Nut Set 7 Piece: M3 – M12	270	140	45	170