
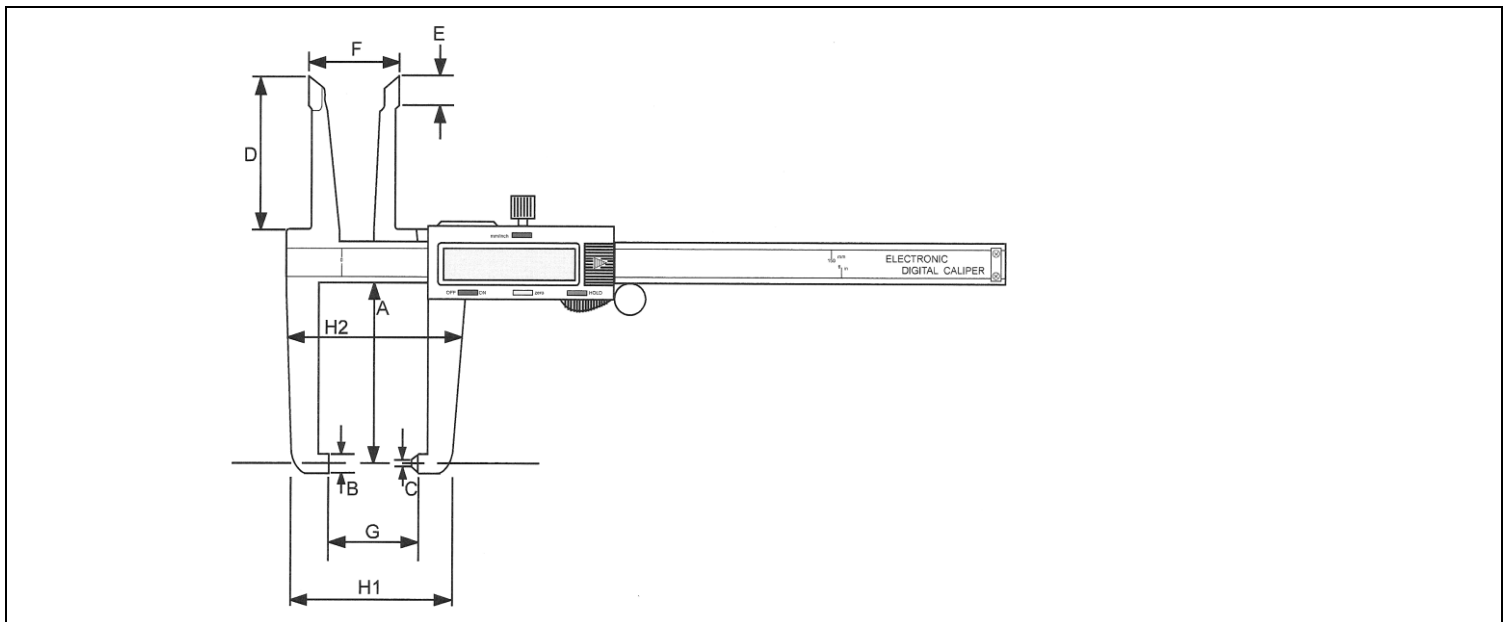


Electronic Disk Brake Caliper

	<p>Suitable for measuring and setting disc brake components</p> <p>Internal jaws for pad wear External jaws for pad and disc wear</p> <p>Range: 0 – 150mm / 6” Resolution: 0.01mm / 0.0005” Accuracy: +/- 0.015mm / 0.001” Large Digits: 11mm Operating Buttons: On/Off, Metric/Inch, Zero Set, Hold</p> <p>Clamp Screw Thumb Roller Power: 1 x SR44 Silver Oxide Battery Working Temp: 5 - 40° (41 - 104°F)</p>
---	--

Packed Weight and Dimensions

Code	Description	Weight g	W mm	H mm	L mm
49-700-006	Electronic Brake Disc Caliper 150mm / 6”	540	150	35	207



Code	A	B	C	D	E	F min	F max	G min	G max	H1	H2
	mm	mm	mm	mm	mm	mm	mm	mm	mm	mm	mm
49-700-006	64	5	2	48	10	6	152	Zero	152	30	37