

Scraper Blades

Instructions for successful deburring

Do not use heavy pressure when deburring as this will cause the blade to dig into the material and give an uneven finish
 Use light and even pressure which will allow the blade and handle to work together to remove the burr and leave a smooth finish on the component


Safety Information

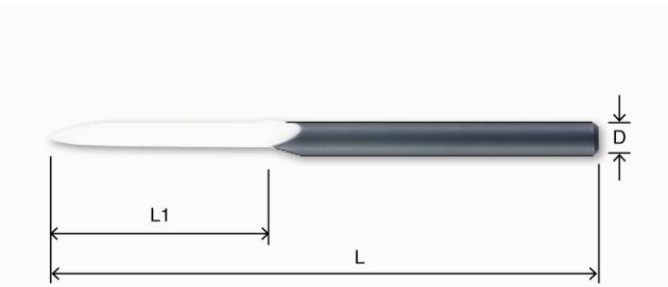
Blades should be handled carefully as they are sharp and can cut
 Blades can break causing flying objects
 Sharp edges and flying objects can cause injury
 Users and bystanders should wear protective safety glasses
 Do not pry or bend blades
 Keep blades and sharp tools away from children
 Do not regrind blades as this will weaken the blade and cause breakage and possible injury

General Information

All Noga products meet the strict requirements of ISO 9001 and ISO 14001


D50 Blade

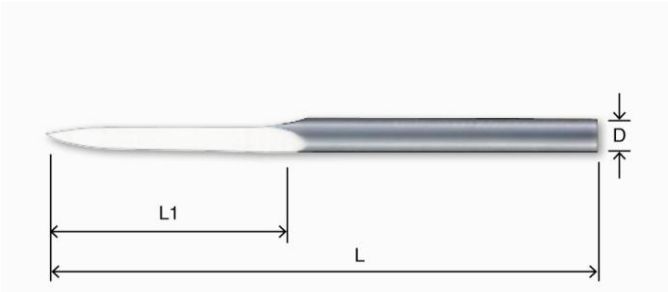
	Order Code	D50				
	Pack Reference	BD5010				
	Cutting	Right and Left Hand				
	Works best on	Steel, Aluminium and Plastic				
	Used with Handle	NG-3 plus D Holder, SC Handle and YT handle				
Packed Weight and Dimensions						
Code	Pack Quantity	Weight g	Wmm	Hmm	Lmm	
D50	10	36	65	9	82	

	Order Code	D50				
	Included Angle	60°				
	Blade Material	HSS M2				
	Blade Hardness	62 – 64 HRC				
	L: Overall Length	50mm				
	L: Cutting Length	20mm				
D: Shank Diameter	3.2mm					


Scraper Blades


D55 Carbide Blade BD5501

	Order Code	D55				
	Pack Reference	BD5501				
	Cutting	Right and Left Hand				
	Works best on	Steel, Aluminium and Plastic				
	Used with Handle	Held in D Holder by grub screw				
Packed Weight and Dimensions						
Code	Pack Quantity	Weight g	Wmm	Hmm	Lmm	
D55 Carbide	1	9	36	21	71	

	Order Code	D55				
	Included Angle	60°				
	Blade Material	Carbide				
	Blade Hardness	1400-1700HV.				
	L: Overall Length	50				
	L: Cutting Length	24				
	D: Shank Diameter	3.2mm				


D66 Blade


	Order Code	D66				
	Pack Reference	BD6610				
	Cutting	Right and Left Hand				
	Works best on	Steel, Aluminium and Plastic				
	Used with Handle	Held in D Holder by grub screw				
Packed Weight and Dimensions						
Code	Pack Quantity	Weight g	Wmm	Hmm	Lmm	
D66	10	45	65	9	82	

	Order Code	D66				
	Included Angle					
	Blade Material	HSS M2				
	Blade Hardness	62 – 64 HRC				
	L: Overall Length	50mm				
	L: Cutting Length	4.5				
	D: Shank Diameter	3.2mm				


Scraper Blades


D75 Blade

	Order Code	D75				
	Pack Reference	BD7501				
	Cutting	Right and Left Hand				
	Works best on	Steel, Aluminium and Plastic				
	Used with Handle	Held in D Holder by grub screw				
Packed Weight and Dimensions						
Code	Pack Quantity	Weight g	Wmm	Hmm	Lmm	
D75	10	52	64	35	95	

	Order Code	D75				
	Included Angle	60°				
	Blade Material	HSS M2				
	Blade Hardness	62 – 64 HRC				
	L: Overall Length	50mm				
	L: Cutting Length	4.5				
	D: Shank Diameter	3.2mm				


D77 Blade


	Order Code	D77				
	Pack Reference	BD7701				
	Cutting	Right Hand				
	Works best on	Steel, Aluminium and Plastic				
	Used with Handle	Held in D Holder by grub screw				
Packed Weight and Dimensions						
Code	Pack Quantity	Weight g	Wmm	Hmm	Lmm	
D77	10	55	36	64	96	

	Order Code	D77				
	Included Angle					
	Blade Material	HSS M2				
	Blade Hardness	62 – 64 HRC				
	L: Overall Length	74mm				
	L: Cutting Length	4.5				
	D: Shank Diameter	3.2mm				


Scraper Blades


T80 Blade

	Order Code	T80				
	Pack Reference	BT8001				
	Cutting	Right and Left Hand				
	Works best on	Steel, Aluminium and Plastic				
	Used with Handle	SC 1300 Adjustable Handle and the YT 1000 Handle				
Packed Weight and Dimensions						
Code	Pack Quantity	Weight g	Wmm	Hmm	Lmm	
T80	1	10	24	24	152	

	Order Code	T80				
	Included Angle	60°				
	Blade Material	HSS M2				
	Blade Hardness	62 – 64 HRC				
	L: Overall Length	81mm				
	L: Cutting Length	18.5mm				
D: Shank Diameter	4mm triangular					

T120 Blade

	Order Code	T120				
	Pack Reference	BT1200				
	Cutting	Right and Left Hand				
	Works best on	Steel, Aluminium and Plastic				
	Used with Handle	Uni-Handle				
Packed Weight and Dimensions						
Code	Pack Quantity	Weight g	Wmm	Hmm	Lmm	
T120	1	24	24	24	152	

	Order Code	T120				
	Included Angle	60°				
	Blade Material	HSS M2				
	Blade Hardness	62 – 64 HRC				
	L: Overall Length	120mm				
	L: Cutting Length	30mm				
D: Shank Diameter	7mm Triangular					