
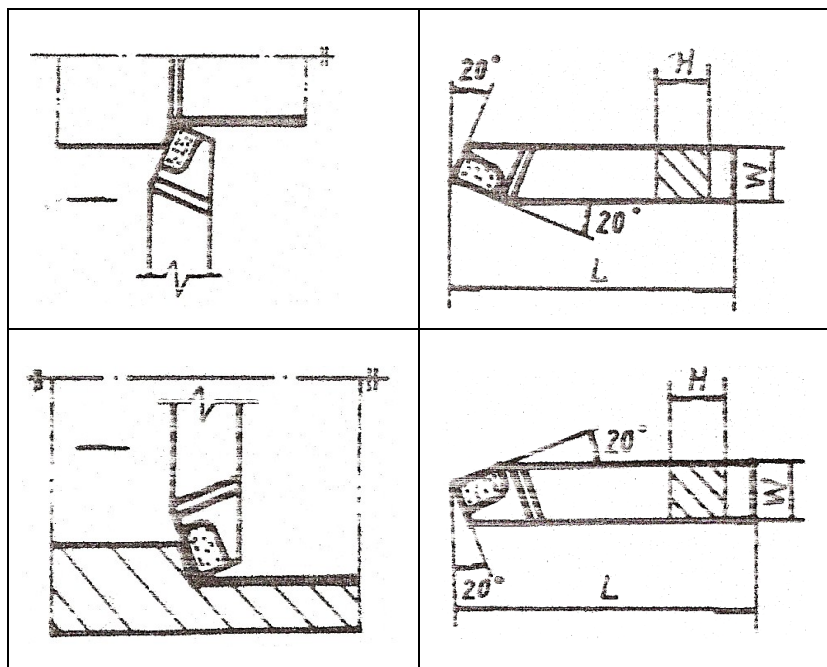


Turning Tools: Carbide Brazed Tipped: Bar Turning Type ISO 1

|   |  |
|---|--|
|  <p>RIGHT HAND SHOWN</p> | <p>Carbide Tipped Brazed Bar Turning Tools<br/>ISO 1<br/>DIN 4971<br/>Similar to BHMA 130-147</p> <p>Grade P30, suitable for machining steel in low to moderate cutting speeds</p> |
|---|--|



| Linear Code | Size mm<br>H | Size mm<br>W | Size mm<br>L | Cutting | Material<br>Grade |
|-------------|--------------|--------------|--------------|---------|-------------------|
| 29-842-100  | 10           | 10           | 90           | R/H     | P30               |
| 29-842-101  | 12           | 12           | 100          | R/H     | P30               |
| 29-842-103  | 16           | 16           | 110          | R/H     | P30               |
| 29-842-105  | 20           | 20           | 125          | R/H     | P30               |

Packed Weight and Dimensions

| Linear Code | Weight g | W mm | H mm | L mm |
|-------------|----------|------|------|------|
| 29-842-100  | 85       | 29   | 21   | 108  |
| 29-842-101  | 127      | 30   | 21   | 120  |
| 29-842-103  | 229      | 33   | 24   | 129  |
| 29-842-105  | 358      | 34   | 24   | 149  |