
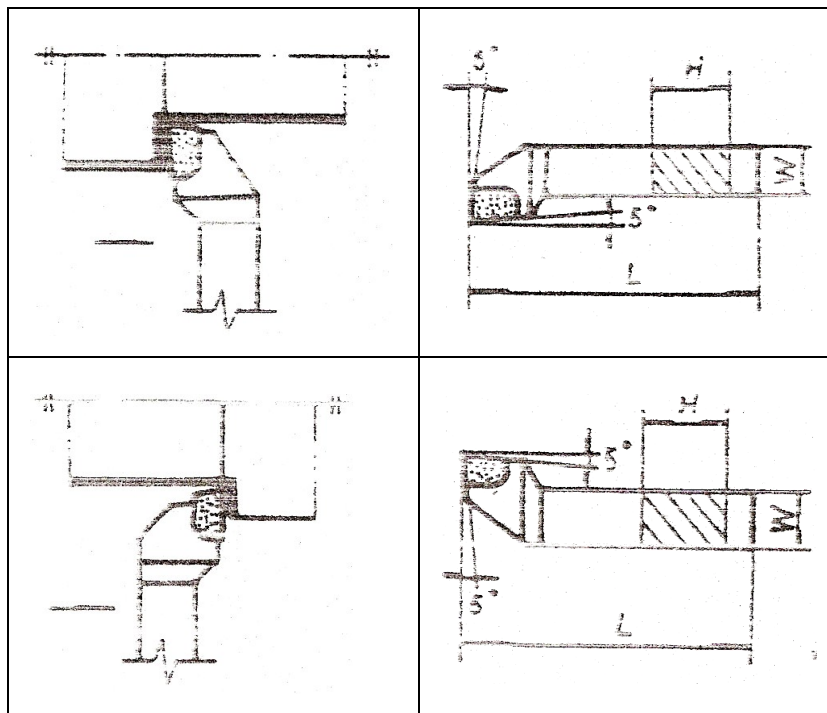


Turning Tools: Carbide Brazed Tipped: Cranked Knife Type: ISO 3

 <p style="text-align: center;">RIGHT HAND SHOWN</p>	<p>Carbide Tipped Brazed Cranked Knife Tools ISO 3 DIN 4978 Similar to BHMA 162-177</p> <p>Grade P30, suitable for machining steel in low to moderate cutting speeds</p> <p>Grade K20, suitable for machining cast iron and short chip materials under moderate speeds and feeds</p>
---	--



Linear Code	Size mm H	Size mm W	Size mm L	Spec Type	Cutting	Material Grade
29-846-571	12	12	100		R/H	P30
29-846-570	12	12	100		L/H	P30
29-846-572	12	12	100		R/H	K20
29-846-573	16	10	110		R/H	P30
29-846-575	20	20	140		R/H	P30
29-846-576	20	20	125		R/H	K20
29-846-577	20	20	140		L/H	P30

Packed Weight and Dimensions

Linear Code	Weight g	W mm	H mm	L mm
29-846-571	128	35	22	152
29-846-570	128	35	22	152
29-846-572	134	35	22	152
29-846-573	152	35	24	152
29-846-575	435	35	24	152
29-846-576	419	38	28	152
29-846-577	441	38	28	152