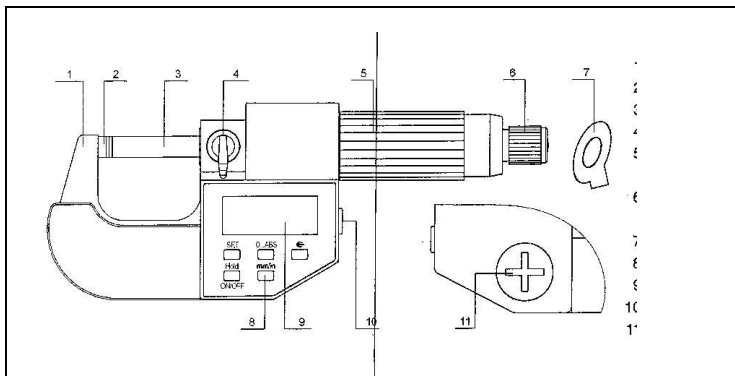


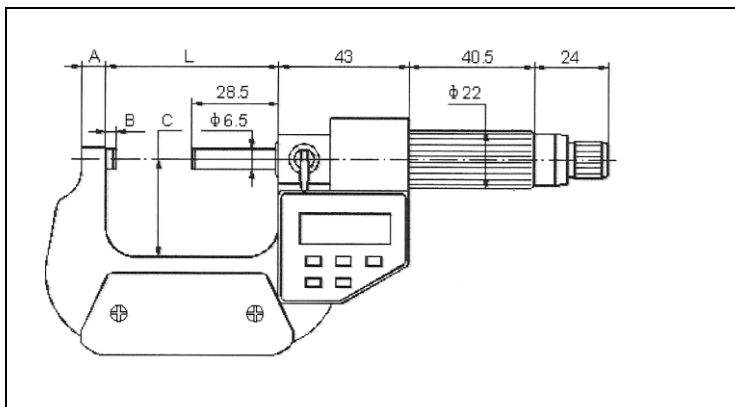
Protection: IP 54 Splash Proof  
 DIN 863/1  
 Clear LCD Display  
 Metric/Inch Conversion  
 Tolerance, Relative & Absolute Modes  
 Resolution 0.001mm/0.0005"  
 Tungsten Carbide Measuring Faces  
 Satin Chrome Frame and Thimble  
 Friction Thimble with Ratchet End Knob  
 Spindle Lock Lever  
 Plastic Heat Guard  
 Supplied with accessory Ball Anvil Attachment  
 Power: 1 x SR44: 1.5V battery  
 Supplied in fitted case

Packed Weight and Dimensions

Code	Description	Weight g	W mm	H mm	L mm
50-800-001	Electronic Micrometer 0-25mm / 0 -1"	454	105	45	192
50-800-002	Electronic Micrometer 25-50mm / 1-2"	612	115	45	223
50-800-003	Electronic Micrometer 50-75mm / 2-3"	770	140	45	253
50-800-004	Electronic Micrometer 75-100mm / 3-4"	1130	170	45	302

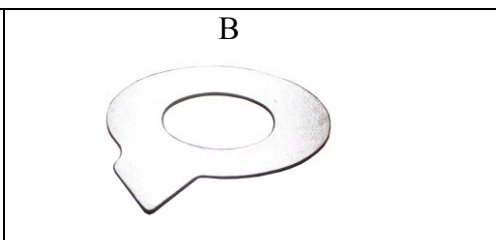
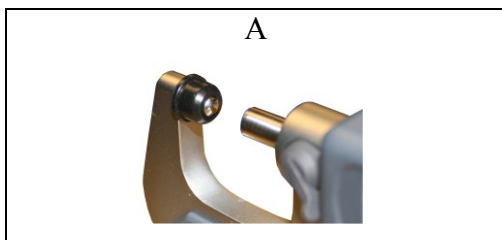


- 1 Frame
- 2 Anvil
- 3 Spindle
- 4 Locking Lever
- 5 Friction Thimble
- 6 Ratchet Stop
- 7 Battery Cover Tool
- 8 Keys
- 9 LCD Display
- 10 Output Port
- 11 Battery Cap



Code	Range mm/Inch	A mm	B mm	C mm	L mm
50-800-001	0-25mm/0-1"	6	3	24	32
50-800-002	25-50mm/1-2"	8	3	32	57
50-800-003	50-75mm/2-3"	8	3	45	82
50-800-004	75-100mm/3-4"	8	3	57	107

Code	Range mm/Inch	Accuracy mm
50-800-001	0-25mm/0-1"	0.002
50-800-002	25-50mm/1-2"	0.002
50-800-003	50-75mm/2-3"	0.003
50-800-004	75-100mm/3-4"	0.003



Accessories supplied:

- A: Ball Anvil will fit on either the anvil or spindle as required
- B: Tool for removing and replacing the battery cover



## Buttons:

SET	Sets origin data for absolute measurement
O...ABS	Selects INC or ABS
O	Data Output
ON/OFF / Hold	Power on or off
Mm/in	Selects mm or in



In	: Inch Mode
INC	: Relative Measuring
ABS	: Absolute Measuring
	: Battery Voltage is Low
O	: Data Output
Set	: Set the Origin
Hold	: Display value Held

## Operation:

There are 2 ways of pressing the micrometer buttons used in the following instructions  
 Press and release immediately = (P & Rel) or Press for 2 seconds and release = (P + 2 sec)

## Button Functions:

## Hold &amp; ON/OFF Button

ON/OFF:	(P + 2 sec)	Power on/off
Hold:	(P & Rel)	Holds the displayed value
SET:	(P & Rel)	Sets the origin

## O-ABS Button

O:	(P & Rel)	Sets display to zero, enter relative measuring mode
ABS:	(P + 2 sec)	Selects Absolute measuring mode

Mm/in: (P & Rel)      Selects Metric or Inch resolution

Clock:              Not avail              Data output

## Set the Origin:

Press SET button, "Set" flashes and the origin is displayed

Press SET button again, "Set" disappears and the displayed value is set to the Origin

Rotating the spindle will not change the origin when "Set" is flashing

## Adjust the Origin:

Rotate the thimble until the desired value is displayed. Press Hold button (P & Rel) to hold this value

Press SET button, "Set" flashes and the displayed value is stored as the origin

Press SET button again, "Set" disappears and this value is set to the Origin

Rotating the spindle will not change the origin when "Set" is flashing

The Origin will return to the factory setting following removal and replacement of the battery

## Electronic Micrometers 50-800-Series

Page: 3 of 3

## Specifications:

Measuring Force:	5 – 10N
Power Consumption:	Greater than 35 milliamps
Operating Temperature:	0 – 40 deg.C
Storage Temperature:	-20 to 60 deg. C
Protection Class:	IP54 (resistant to water splash)

## Operating Care

Clean measuring faces with a clean soft cloth only

Do not use any organic solvent for cleaning such as acetone etc.

Keep instrument away from strong magnetic fields and high voltage environments which can affect the correct working of the electronic pack

Prevent the ingress of oil and liquids into the electronics

Do not use or store the micrometer in direct sunlight, or in an excessively hot or cold environment

Remove battery if the instrument is not to be used for a long period of time

Do not disassemble or drop the instrument

**Do not mark the instrument by engraving, etching or any other permanent method of marking as this will invalidate the warranty**

## Fault Finding

Failure	Causes	Remedy
Display: "E 1" Display: "Exxxxx"	Measured value is over display range	Reset the origin or change to relative mode
Display: "E 2"	The origin is too great	Reset the origin
Display: "E 3" Display: "E 8"	1 The micrometer is disturbed 2 Something wrong with sensor	1 Reset the battery 2 return the micrometer for repair
Measured value is not correct	1 Measuring surfaces are not clean 2 The origin is incorrect	1 Clean measuring surfaces 2 Reset the origin
Display is confused or dead	Strong disturbance to micrometer	Reset battery
No display Display is blurring Battery sign appears	Battery voltage below 1.45V	Replace battery