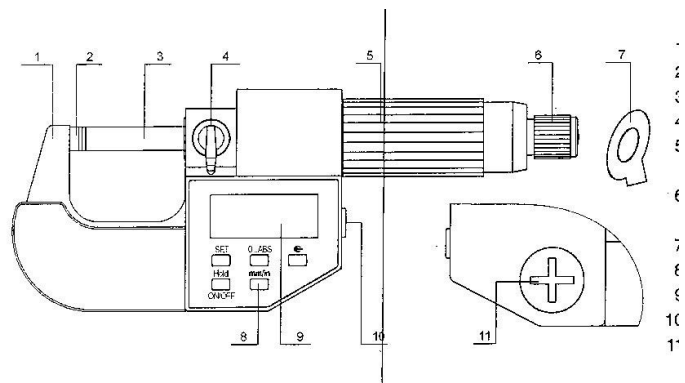
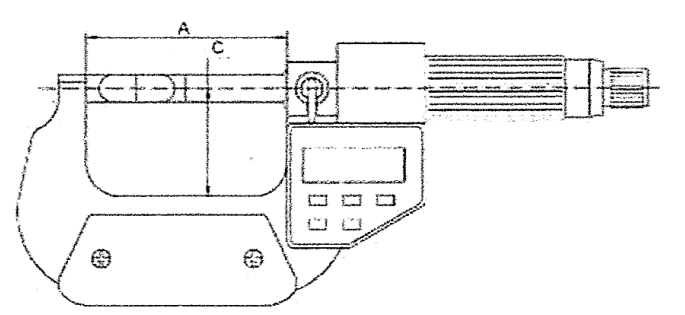
	<p>Protection: IP 54 Splash Proof                  DIN 863/1                  Clear LCD Display                  Metric/Inch Conversion                  Tolerance, Relative &amp; Absolute Modes                  Resolution 0.001mm/0.0005"                  Tungsten Carbide Blade Tips                  Blade Anvils: 0.75mm wide x 6mm high x 7mm long                  Satin Chrome Frame and Thimble                  Friction Thimble with Ratchet End Knob                  Spindle Lock Lever                  Plastic Heat Guard                  Setting Rod supplied with models over 25mm/1"                  Supplied in fitted case</p>
--	---

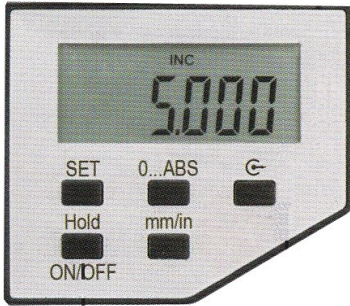
Packed Weight and Dimensions

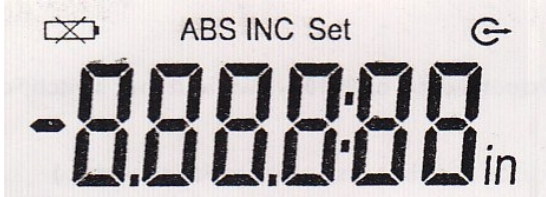
Code	Description	Weight g	W mm	H mm	L mm
50-840-001	Electronic Blade Micrometer 0-25mm / 0 -1"	610	115	45	223
50-840-002	Electronic Blade Micrometer 25-50mm / 1-2"	770	140	45	253
50-840-003	Electronic Blade Micrometer 50-75mm / 2-3"	1300	170	45	302

	<ol style="list-style-type: none"> <li>1 Frame</li> <li>2 Anvil</li> <li>3 Spindle</li> <li>4 Locking Lever</li> <li>5 Friction Thimble</li> <li>6 Ratchet Stop</li> <li>7 Battery Cover Tool</li> <li>8 Keys</li> <li>9 LCD Display</li> <li>10 Output Port</li> <li>11 Battery Cap</li> </ol>
--	---

	<table border="1"> <thead> <tr> <th>Code</th> <th>Range mm/Inch</th> <th>A mm</th> <th>C mm</th> <th>Accuracy mm</th> </tr> </thead> <tbody> <tr> <td>50-840-001</td> <td>0-25</td> <td>57</td> <td>32</td> <td>0.004</td> </tr> <tr> <td>50-840-002</td> <td>25-50</td> <td>82</td> <td>44.5</td> <td>0.004</td> </tr> </tbody> </table> <p>Power: 1 x SR44: 1.5V battery</p>	Code	Range mm/Inch	A mm	C mm	Accuracy mm	50-840-001	0-25	57	32	0.004	50-840-002	25-50	82	44.5	0.004
Code	Range mm/Inch	A mm	C mm	Accuracy mm												
50-840-001	0-25	57	32	0.004												
50-840-002	25-50	82	44.5	0.004												

Electronic Blade Micrometers 50-840-Series

	<p>Buttons:</p> <p>SET                Sets origin data for absolute measurement</p> <p>O...ABS           Selects INC or ABS</p> <p>O                    Data Output</p> <p>ON/OFF / Hold    Power on or off</p> <p>Mm/in              Selects mm or in</p>
---	--

	<p>In        : Inch Mode</p> <p>INC      : Relative Measuring</p> <p>ABS     : Absolute Measuring</p> <p>          : Battery Voltage is Low</p> <p>O        : Data Output</p> <p>Set     : Set the Origin</p> <p>Hold    : Display value Held</p>
--	---

Operation:

There are 2 ways of pressing the micrometer buttons used in the following instructions  
 Press and release immediately = (P & Rel) or Press for 2 seconds and release = (P + 2 sec)

Button Functions:

Hold & ON/OFF Button

ON/OFF:        (P + 2 sec)        Power on/off  
 Hold:            (P & Rel)            Holds the displayed value

SET:            (P & Rel)            Sets the origin

O-ABS Button

O:                (P & Rel)            Sets display to zero, enter relative measuring mode  
 ABS:            (P + 2 sec)        Selects Absolute measuring mode

Mm/in: (P & Rel)        Selects Metric or Inch resolution

Clock:            Not avail            Data output

Set the Origin:

Press SET button, "Set" flashes and the origin is displayed  
 Press SET button again, "Set" disappears and the displayed value is set to the Origin  
 Rotating the spindle will not change the origin when "Set" is flashing

Adjust the Origin:

Rotate the thimble until the desired value is displayed. Press Hold button (P & Rel) to hold this value  
 Press SET button, "Set" flashes and the displayed value is stored as the origin  
 Press SER button again, "Set" disappears and this value is set to the Origin  
 Rotating the spindle will not change the origin when "Set" is flashing  
 The Origin will return to the factory setting following removal and replacement of the battery

## Electronic Blade Micrometers 50-840-Series

Page: 3 of 3

## Specifications:

Measuring Force:	5 – 10N
Power Consumption:	Greater than 35 milliamps
Operating Temperature:	0 – 40 deg.C
Storage Temperature:	-20 to 60 deg. C
Protection Class:	IP54 (resistant to water splash)

## Operating Care

Clean measuring faces with a clean soft cloth only

Do not use any organic solvent for cleaning such as acetone etc.

Keep instrument away from strong magnetic fields and high voltage environments which can affect the correct working of the electronic pack

Prevent the ingress of oil and liquids into the electronics

Do not use or store the micrometer in direct sunlight, or in an excessively hot or cold environment

Remove battery if the instrument is not to be used for a long period of time

Do not disassemble or drop the instrument

**Do not mark the instrument by engraving, etching or any other permanent method of marking as this will invalidate the warranty**

## Fault Finding

Failure	Causes	Remedy
Display: "E 1" Display: "Exxxxx"	Measured value is over display range	Reset the origin or change to relative mode
Display: "E 2"	The origin is too great	Reset the origin
Display: "E 3" Display: "E 8"	1 The micrometer is disturbed 2 Something wrong with sensor	1 Reset the battery 2 return the micrometer for repair
Measured value is not correct	1 Measuring surfaces are not clean 2 The origin is incorrect	1 Clean measuring surfaces 2 Reset the origin
Display is confused or dead	Strong disturbance to micrometer	Reset battery
No display Display is blurring Battery sign appears	Battery voltage below 1.45V	Replace battery