	<ul style="list-style-type: none"> Hardened stainless steel frame and measuring jaws Thumbroll adjustment Knurled locking screw Depth rod Clear LCD Display Large 10mm digits Inch/Metric conversion Origin setting Resolution: 0.01mm / 0.0005" Repeatability: 0.01mm / 0.0005" 4 Way measurement: Individual serial numbers Power: 1 x Lithium battery CR2032 – 3v Maximum measuring speed: 1.5 metres per second Operating temperature: 5 - 40°C Relative humidity: Maximum 80% Warranty: 1 year
--	--

Packed Weight and Dimensions

Code	Description	Weight g	W mm	H mm	L mm
49-900-153	Electronic Caliper RoHS 150mm / 6"	336	90	28	230

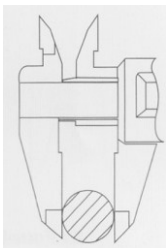
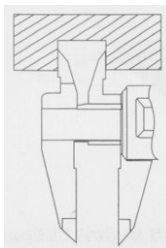
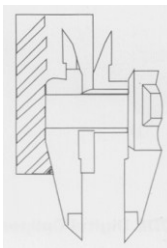
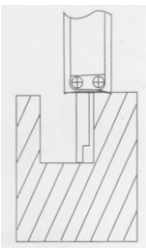
Code	Range	Resolution	Repeatability	Accuracy
49-900-153	150mm / 6"	0.01mm / 0.0005"	0.01mm / 0.0005"	±0.02mm (≤ 100mm) ±0.03mm (≥ 100mm – 200mm)

Code	Range	External Jaw Length	Internal Jaw Length
49-900-153	150mm / 6"	40mm	18mm

BUTTON FUNCTIONS

- ON/OFF Power Switch
- Inch / mm Inch / Metric conversion
- ZERO Zero's Display

4 Way Measurement Feature

 <p>Outside Measurement</p>	 <p>Inside Measurement</p>	 <p>Step Measurement</p>	 <p>Depth Measurement</p>
--	---	--	--

Electronic Caliper RoHS Compliant

Page 2 of 2

OPERATING INSTRUCTIONS

When using the Caliper for the first time or after a period of non-use, wipe the beam scale with a dry clean cloth to remove any condensation or oil deposits.

Prior to setting the caliper for measuring, first clean the measuring faces with a soft clean cloth or paper.

Switch Caliper ON

Move Caliper jaws together.

Select required measuring mode Inch / Metric.

Zero display, caliper is now ready for direct measurement.

Caliper can be zeroed at any position within its range, to provide relative measurements.

Caliper provides 4 way measurements, External, Internal, Step and Depth.

OPERATING CARE

Clean measuring faces with dry soft cloth

Keep away from strong magnetic fields

Prevent ingress of oil / liquids into electronics

Remove battery if instrument is not used for a long period of time

Do not disassemble or drop the instrument

Do not mark instrument by engraving, etching or any other permanent marking method, as this will invalidate the warranty

FAULT FINDING

Fault	Cause	Action
Display flashes	Battery voltage below 1.45volts	Replace battery
Display frozen	Circuit overload	Remove battery and replace after 4 minutes
Accuracy below specification but within +/- 0.1mm	Dirt in sensor	Remove slider cover assembly, clean face of sensor with dry clean compressed air (5kg/cm2)
No display	Poor battery contact Dead battery	Remove battery and carefully adjust battery contacts, replace battery. Replace battery.