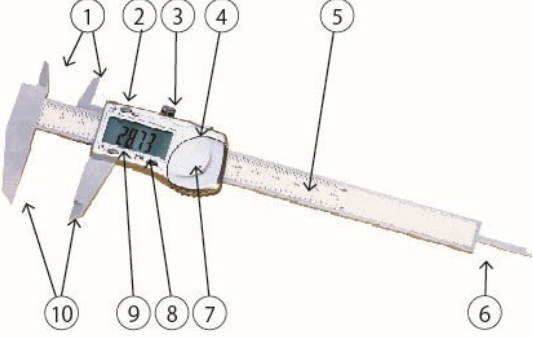


	<p>Plastic Caliper Frame and Measuring Jaws Range: 150mm / 6" Resolution: 0.01mm / 0.0005" / 1/64" Accuracy: ±0.2mm / 0.008" / 1/64" Digit Size: 10mm Metric / Inch / Fraction: Conversion Button Zero Set Button Power ON / OFF Button Depth Gauge: (Plastic Maximum Section 3.65mm x 1.40mm) Slide Locking Screw 4 Way Measurement: Auto Shut Off Power: 1 x 3V Lithium Battery CR2032 Operating Temperature: 5 - 40°C Relative Humidity: Maximum 80%</p>
--	---

Packed Weight and Dimensions

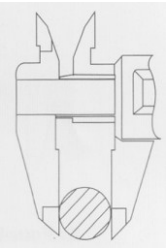
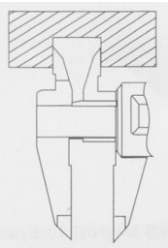
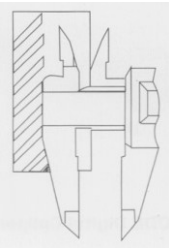
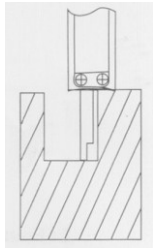
Code	Description	Weight g	W mm	H mm	L mm
48-600-151	Electronic Plastic Caliper 150mm / 6"	98	87	22	250

	<ol style="list-style-type: none"> 1 Inside Measuring Jaws 2 Metric / Inch / Fraction Select Button 3 Locking Screw 4 Data Output (not available) 5 Caliper Beam 6 Plastic Depth Rod 7 Battery Cover 8 Zero Set Button 9 Power ON / OFF Switch 10 Outside Measuring Jaws
--	--

Code	Range	Resolution	Repeatability	Accuracy
48-600-151	150mm / 6"	0.01mm / 0.0005" / 1/64"	0.1mm / 0.005" / 1/64"	±0.2mm (0 – 150mm)

Code	Range	External Jaw Length	Internal Jaw Length
48-600-151	150mm / 6"	40mm	18mm

4 Way Measurement Feature

 <p>Outside Measurement</p>	 <p>Inside Measurement</p>	 <p>Step Measurement</p>	 <p>Depth Measurement</p>
--	---	--	--

Electronic Plastic Caliper

Page 2 of 2

OPERATING INSTRUCTIONS

When using the Caliper for the first time or after a period of non-use, wipe the beam scale with a dry clean cloth to remove any condensation or oil deposits.

Prior to setting the caliper for measuring, first clean the measuring faces with a soft clean cloth or paper.

Switch Caliper ON

Move Caliper jaws together.

Select required measuring mode Inch / Metric / Inch Fractional

Zero display, caliper is now ready for direct measurement.

Caliper can be zeroed at any position within its range, to provide relative measurements.

Caliper provides 4 way measurements, External, Internal, Step and Depth.

OPERATING CARE

Clean measuring faces with dry soft cloth

Keep away from strong magnetic fields

Prevent ingress of oil / liquids into electronics

Remove battery if instrument is not used for a long period of time

Do not disassemble or drop the instrument

Do not mark instrument by engraving, etching or any other permanent marking method, as this will invalidate the warranty

FAULT FINDING

Fault	Cause	Action
Display flashes	Battery voltage below 1.45volts	Replace battery
Display frozen	Circuit overload	Remove battery and replace after 4 minutes
Accuracy below specification but within +/- 0.1mm	Dirt in sensor	Remove slider cover assembly, clean face of sensor with dry clean compressed air (5kg/cm ²)
No display	Poor battery contact Dead battery	Remove battery and carefully adjust battery contacts, replace battery. Replace battery.