
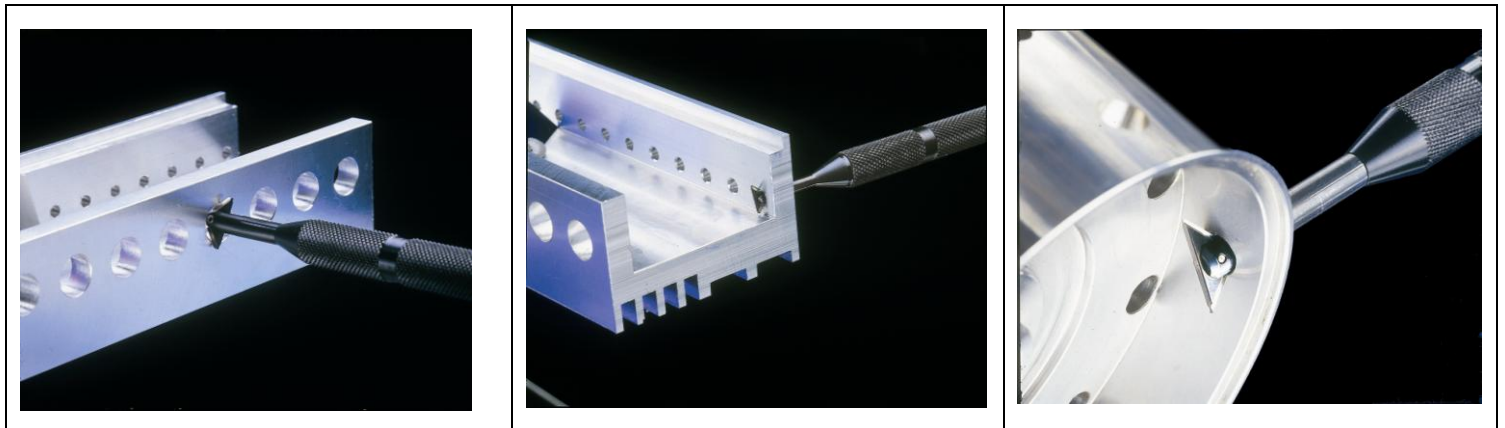


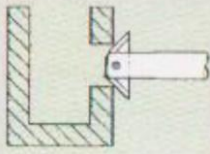
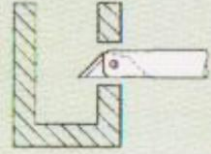
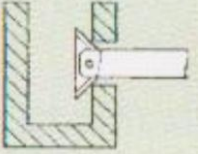
| | |
|---|---|
|  | <p>Patented rotating blade system enables the blade to be set in position to deburr either the front face or back face of a hole</p> <p>A rugged knurled steel body is fitted with a replaceable Countersink Blade and incorporates an end button for blade positioning</p> <p>Countersink Blade angle 90°</p> <p>Three individual models are available which cover the countersink diameter range 3 – 22mm</p> |
|---|---|

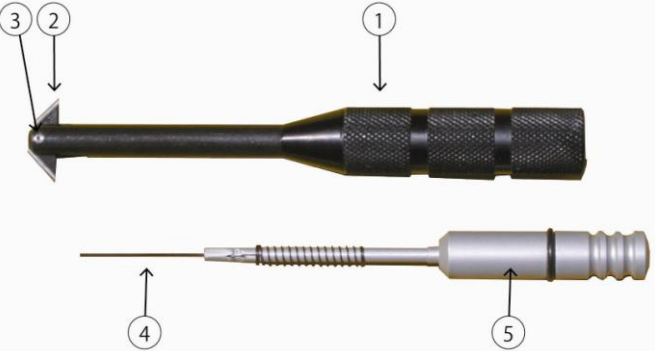
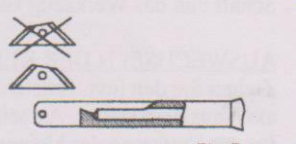
Packed Weight and Dimensions

| Code | Description | Countersink Diameter Range | Weight g | W mm | H mm | L mm |
|---------|-------------------|----------------------------|----------|------|------|------|
| RC 1000 | Mini Reversible | 3 – 5.5 | 23 | 23 | 23 | 154 |
| RC 2000 | Medium Reversible | 5- 10 | 39 | 23 | 23 | 154 |
| RC 2200 | Large Reversible | 10 - 22 | 85 | 27 | 27 | 175 |



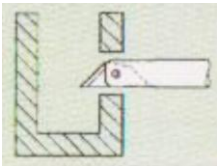

Reversible Countersinks

| | | | |
|--|---|---|---|
|  |  |  | <p>Depress the end button to automatically rotate the cutting blade to position it for either front or rear face deburring. It will also position the blade to allow it to be pushed through the hole for rear face deburring</p> |
| Front Face Deburring | Retracted Blade | Rear Face Deburring | |

| | |
|--|--|
|  | <ol style="list-style-type: none"> 1 Main Body 2 Blade 3 Blade retaining screw 4 Hex key: Used for blade removal 5 Aluminium plunger  |
|--|--|

Reversible Countersinks

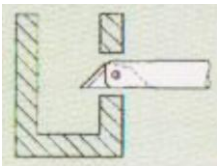

R1 Mini Reversible Countersink Blade

| | | |
|--|---|---|
|  <p>Retracted Blade</p> |  | <p>90° Countersink Blade Range: 3-5.5mm diameter Blade material: HSS M2 Blade hardness: 62-64 HRC Attached to Mini Reversible Countersink. Grub Screw supplied</p> |
|--|---|---|

Packed Weight and Dimensions

| Code | Description | Weight g | W mm | H mm | L mm |
|--------|--------------------------------------|----------|------|------|------|
| BR1001 | R1 Mini Reversible Countersink Blade | 5 | 36 | 21 | 70 |

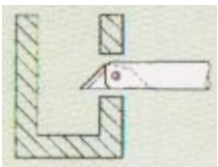

R2 Medium Reversible Countersink Blade

| | | |
|---|---|--|
|  <p>Retracted Blade</p> |  | <p>90° Countersink Blade Range: 5-10mm diameter Blade material: HSS M2 Blade hardness: 62-64 HRC Attached to Mini Reversible Countersink. Grub Screw supplied</p> |
|---|---|--|

Packed Weight and Dimensions

| Code | Description | Weight g | W mm | H mm | L mm |
|--------|--|----------|------|------|------|
| BR2001 | R2 Medium Reversible Countersink Blade | 5 | 36 | 21 | 70 |

R3 Large Reversible Countersink Blade

| | | |
|--|---|---|
|  <p>Retracted Blade</p> |  | <p>90° Countersink Blade Range: 10-22mm diameter Blade material: HSS M2 Blade hardness: 62-64 HRC Attached to Mini Reversible Countersink. Grub Screw supplied</p> |
|--|---|---|

Packed Weight and Dimensions

| Code | Description | Weight g | W mm | H mm | L mm |
|--------|---------------------------------------|----------|------|------|------|
| BR3001 | R3 Large Reversible Countersink Blade | 5 | 36 | 21 | 70 |