



Convexed Cera Cut

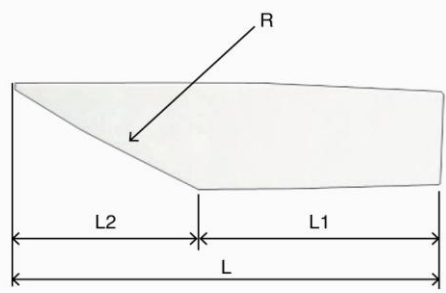
	<p>Suitable for:</p> <ul style="list-style-type: none"> Deburring all plastics and soft metals Surface scraping and parting line deflashing Blade can be replaced <p>Includes:</p> <ul style="list-style-type: none"> Cera-Cut Handle with convex Cera-cut blade
---	--

Packed Weight and Dimensions

Code	Description	Weight g	W mm	H mm	L mm
CR 2000	Convexed Cera Cut	50	26	26	172

	<p>Instructions</p> <ul style="list-style-type: none"> Do not use heavy pressure when deburring as this will cause the blade to dig into the material and give an uneven finish Use light and even pressure which will allow the blade and handle to work together to remove the burr and leave a smooth finish on the component Blades should be handled carefully as they are sharp and can cut Blades can break causing flying objects Sharp edges and flying objects can cause injury Users and bystanders should wear protective safety glasses Do not pry or bend blades Keep blades and sharp tools away from children Do not regrind blades as this will weaken the blade and cause breakage and possible injury <p>All Noga products meet the strict requirements of ISO 9001 and ISO 14001</p>
---	--

Convexed Cera-cut Blade CR 2200

	<p>Suitable for surface cleaning and part line deflashing</p> <p>Material: Ceramic 1250HV</p> <p>Included Angle: 90°</p> <ul style="list-style-type: none"> L: 60mm L1: 35mm L2: 25mm R: 250mm radius <p>Blade thickness: 1.7mm</p>
---	---

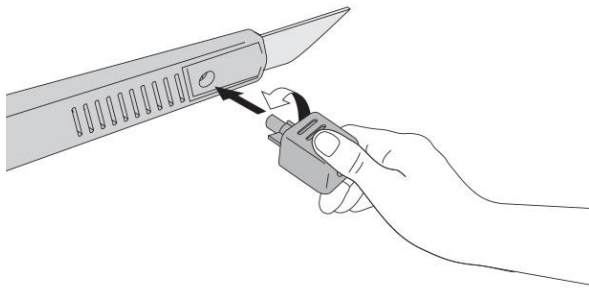
Convexed Cera Cut

Page 2 of 2

Cera-cut Handle CR 2100

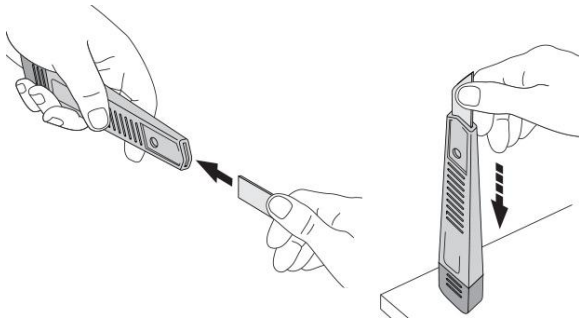


This unique plastic handle positively holds the Ceramic Blades due to its self gripping taper. The handle also provides storage space inside for spare blades. The handle end cap is designed for efficient removal of the blade.



Blade removal:

- 1 Remove the cap from the rear of the handle
- 2 Insert the cap into the round hole and turn 90°
- 3 Pull the blade out



Blade insertion:

- 1 Insert the blade into the groove at the front of the handle
- 2 To secure the blade in place, hold the blade and lightly tap the handle against a solid surface to ensure the blade is firmly held in the self gripping taper in the handle