

Concaved Cera Cut

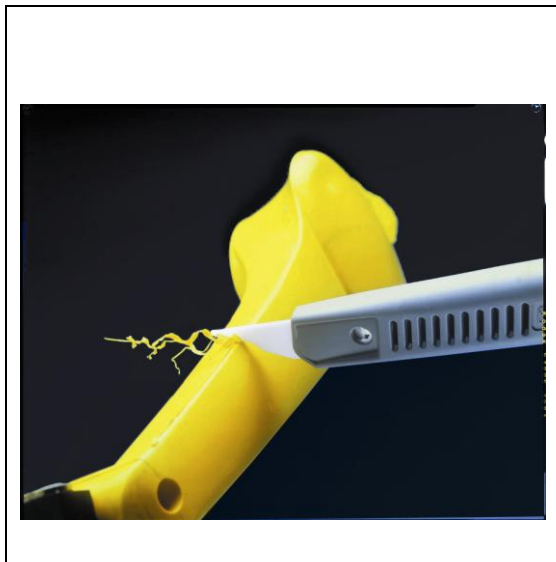


Suitable for:

Deburring all plastics and soft metals
 Ideal for curved edges and small ridges
 Blade can be replaced
 Includes:
 Cera-Cut Handle with concaved Cera-cut blade

Packed Weight and Dimensions

Code	Description	Weight g	W mm	H mm	L mm
CR 2300	Concaved Cera Cut	50	26	26	172



Instructions

Do not use heavy pressure when deburring as this will cause the blade to dig into the material and give an uneven finish
 Use light and even pressure which will allow the blade and handle to work together to remove the burr and leave a smooth finish on the component

Blades should be handled carefully as they are sharp and can cut

Blades can break causing flying objects

Sharp edges and flying objects can cause injury

Users and bystanders should wear protective safety glasses

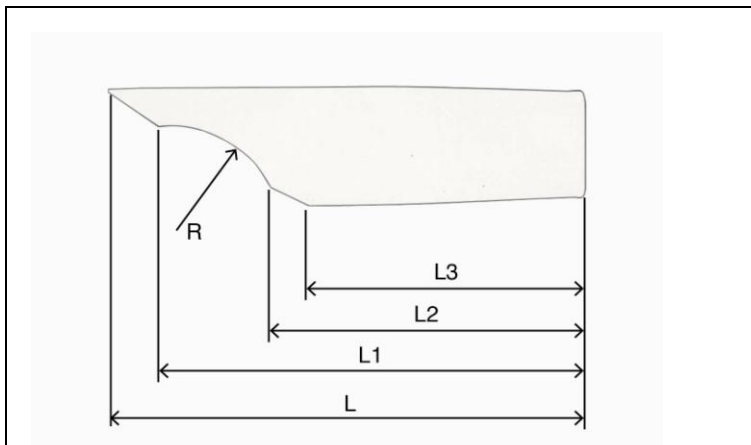
Do not pry or bend blades

Keep blades and sharp tools away from children

Do not regrind blades as this will weaken the blade and cause breakage and possible injury

All Noga products meet the strict requirements of ISO 9001 and ISO 14001

Concaved Cera-cut Blade CR 2500



Suitable for curved edges and small ridges

Material: Ceramic 1250HV

Include Angle: 90°

L: 60mm

L1: 53mm

L2: 38mm

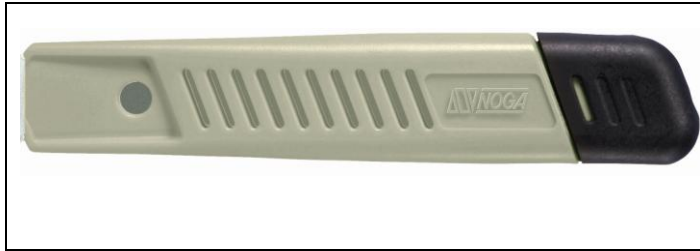
L3: 35mm

R: 15mm radius

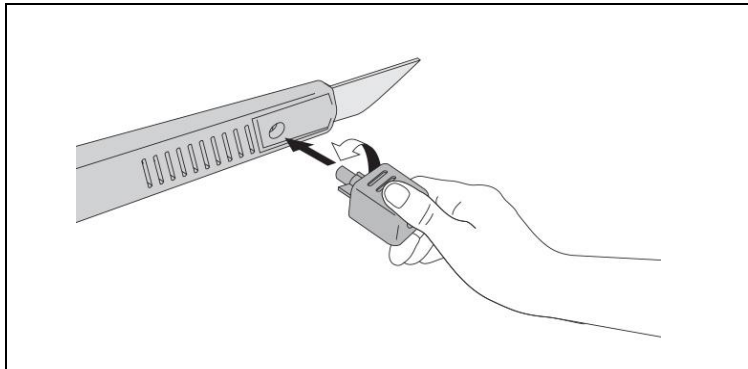
Blade thickness: 1.7mm

Concaved Cera Cut

Cera-cut Handle CR 2100

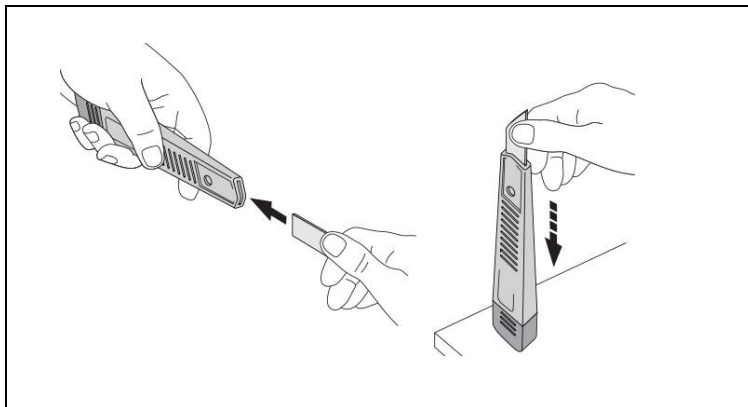


Plastic handle holds blade by self-gripping taper
Storage space for spare blades
Length 135mm
Handle end cap used as blade removal tool



Blade removal:

- 1 Remove the cap from the rear of the handle
- 2 Insert the cap into the round hole and turn 90°
- 3 Pull the blade out



Blade insertion:

- 1 Insert the blade into the groove at the front of the handle
- 2 To secure the blade in place, hold the blade and lightly tap the handle against a solid surface to ensure the blade is firmly held in the self gripping taper in the handle