
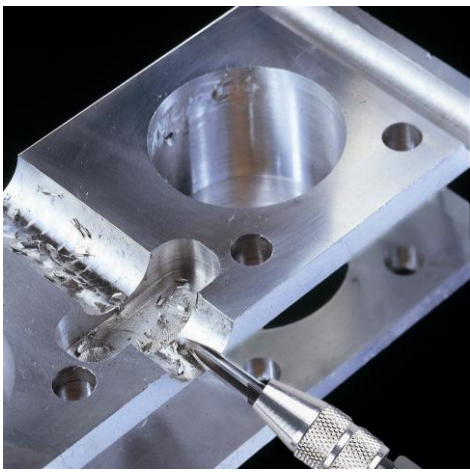


Adjustable Mini Scraper

	<p>Ideal for scraping, trimming and deburring all materials</p> <p>The Adjustable Scraper consists of: An Adjustable Scraper Handle SC1300 and a D75 Scraper Blade A knurled locking collar clamps the blade in the desired length position</p>
--	---

Packed Weight and Dimensions

Code	Description	Weight g	W mm	H mm	L mm
SC 7500	Adjustable Mini Scraper	40	24	24	152

	<p>Instructions</p> <p>Do not use heavy pressure when deburring as this will cause the blade to dig into the material and give an uneven finish Use light and even pressure which will allow the blade and handle to work together to remove the burr and leave a smooth finish on the component</p> <p>Blades should be handled carefully as they are sharp and can cut Blades can break causing flying objects Sharp edges and flying objects can cause injury Users and bystanders should wear protective safety glasses Do not pry or bend blades Keep blades and sharp tools away from children Do not regrind blades as this will weaken the blade and cause breakage and possible injury</p> <p>All Noga products meet the strict requirements of ISO 9001 and ISO 14001</p>
---	---

SC Handle


	<p>Handle Material: Aluminium, black anodised Handle Size: 120mm long x 12mm hexagonal section The Adjustable Scraper Handle also accepts all "D" type Scraper Blades.</p>
--	--

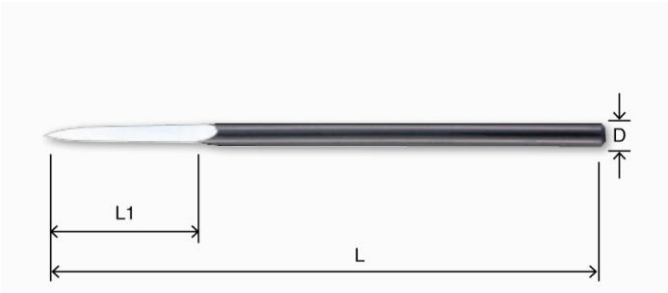
Packed Weight and Dimensions

Code	Description	Weight g	W mm	H mm	L mm
SC1300	SC Handle	40	23	23	155

Adjustable Mini Scraper

D75 Blade

	Order Code	D75				
	Pack Reference	BD7501				
	Cutting	Right and Left Hand				
	Works best on	Steel, Aluminium and Plastic				
	Used with Handle	Held in D Holder by grub screw				
Packed Weight and Dimensions						
Code	Pack Quantity	Weight g	Wmm	Hmm	Lmm	
D75	10	52	64	35	95	

	Order Code	D75				
	Included Angle	60°				
	Blade Material	HSS M2				
	Blade Hardness	62 – 64 HRC				
	L: Overall Length	50mm				
	L: Cutting Length	4.5				
D: Shank Diameter	3.2mm					