



LDS1497

Last Update: 21/06/2017

Datasheet

IP67 Water Proof Electronic Digital Caliper 150mm/6"



Specifications:

- IP67 Water Proof Electronic Digital Caliper
- Range: 150mm/6"
- Resolution: 0.01mm
- Battery: 1 x CR2032 battery 3.0v
- Working Temperature: 0 - 40°
- Storage Temperature: Minus 10° - 60°
- Auto Power off
- Zero-setting at any position
- Mm and inch conversion at any position

Order Code	Description
49-170-155	IP67 Water Proof Caliper

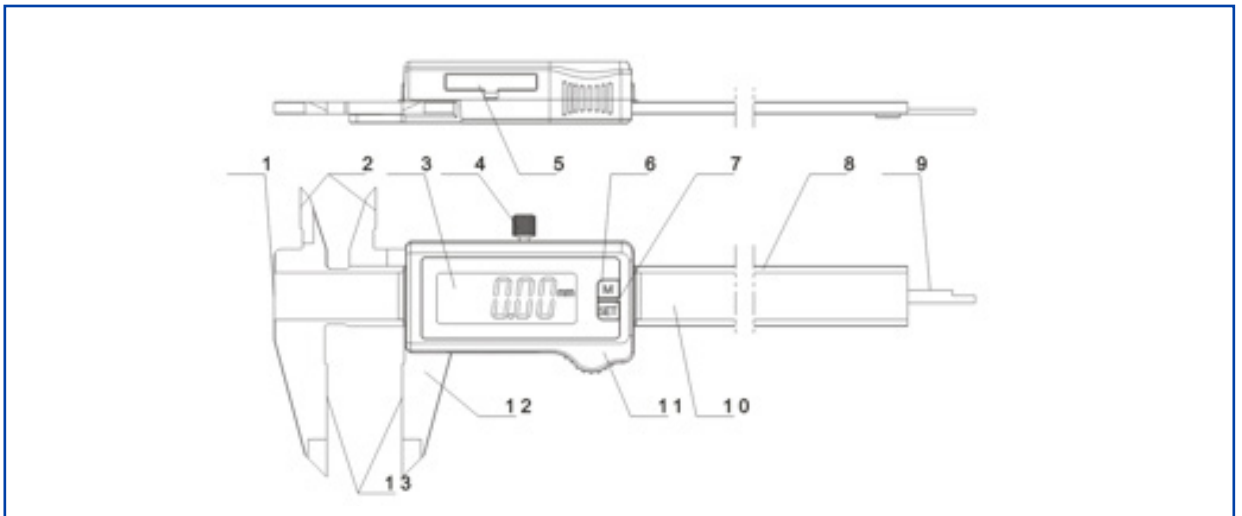


LDS1497

Last Update: 21/06/2017

Datasheet

IP67 Water Proof Electronic Digital Caliper 150mm/6"



Button Specifications:

1. Step measuring faces
2. Inside measuring faces
3. LCD
4. Locking screw
5. Battery cover
6. M button
7. SET button
8. Main ruler
9. Depth bar
10. Protective scale
11. Digit unit cover
12. Slider
13. Outside measuring faces



LDS1497

Last Update: 21/06/2017

Datasheet

IP67 Water Proof Electronic Digital Caliper 150mm/6”

Operating Procedure:

Preparation

Clean the protective scale and all measuring faces

Loosen the locking screw, move the slider and bring the measuring faces together

Check all buttons and LCD to ensure they function normally

Power On

Hold the SET button for a few seconds or move the slider to power on

Power Off

Hold the SET button for a few seconds otherwise the device will automatically power off after 5 minutes

Zero Setting

Press the M button and then press the SET button to achieve zero setting in any position

Absolute Measuring and Relative measuring Mode Conversion

Press the M button twice and then use the SET button to select ABS or REL mode

MM/Inch Conversion

Press the M button three times and then use the SET button to select MM or Inch mode

Hold

Under Absolute (ABS) measuring mode, press SET once to Hold reading, an H will display in the bottom left corner of the LCD. Press SET again to exit the Hold function

Err0 Display/Clearance

If LCD display shows Err0, hold SET for five seconds to clear, restart the Caliper to continue normal usage