

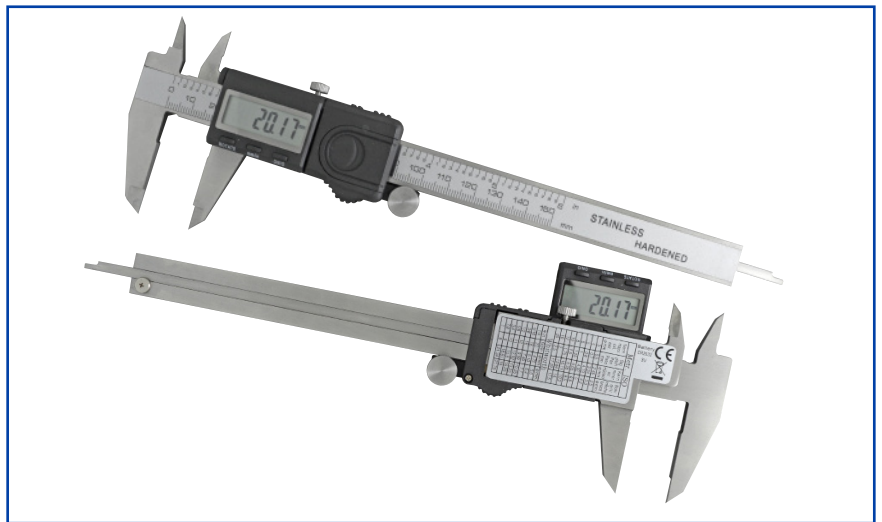


LDS1498

Last Update: 21/06/2017

Datasheet

Electronic Reversible Caliper 150mm/6"



Specifications:

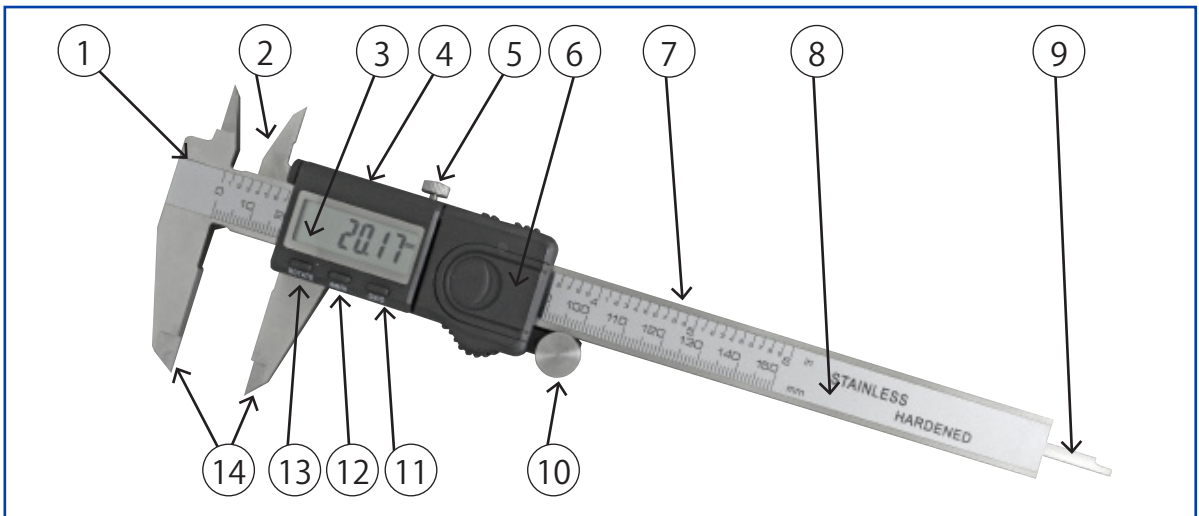
- Unique flip up display that enables you to use the caliper either left or right hand
- Flip the screen over and press the digit rotate button to use as a left handed caliper
- Very versatile caliper for many applications
- Measures: 0-150mm / 0-6"
- Resolution: 0.01Mm / 0.0005"
- Working power: CR 2032 3v battery
- Working temperature: 0 - +40 ° C
- Relative humidity: <80%
- Storage temperature: -10 ° C - +50° C

Order Code	Description
49-205-150	Electronic Reversible Caliper



Datasheet

Electronic Reversible Caliper 150mm/6"



Nomenclature:

- | | |
|---------------------------|-----------------------------|
| 1. Step measuring face | 8. Protective sticker |
| 2. Inside measuring faces | 9. Depth rod |
| 3. LCD screen | 10. Thumb roll |
| 4. Flip-up display | 11. ON button |
| 5. Locking screw | 12. MM/IN button |
| 6. Battery cover | 13. ROTATE button |
| 7. Main ruler | 14. Outside measuring faces |



LDS1498

Last Update: 21/06/2017

Datasheet

Electronic Reversible Caliper 150mm/6”

Operating Procedure:

Preparation

Clean the protective scale and all measuring faces

Loosen the locking screw, move the slider and bring the measuring faces together

Check all buttons and LCD to ensure they function normally

Power On

Hold the ON button for a few seconds

Power Off

Hold the ON button for a few seconds

Rotate Mode

Lift the flip-up display and press the ROTATE button, turn the Caliper to use in left handed/rotated mode

MM/Inch Conversion

Press the MM/IN button to select MM or Inch mode