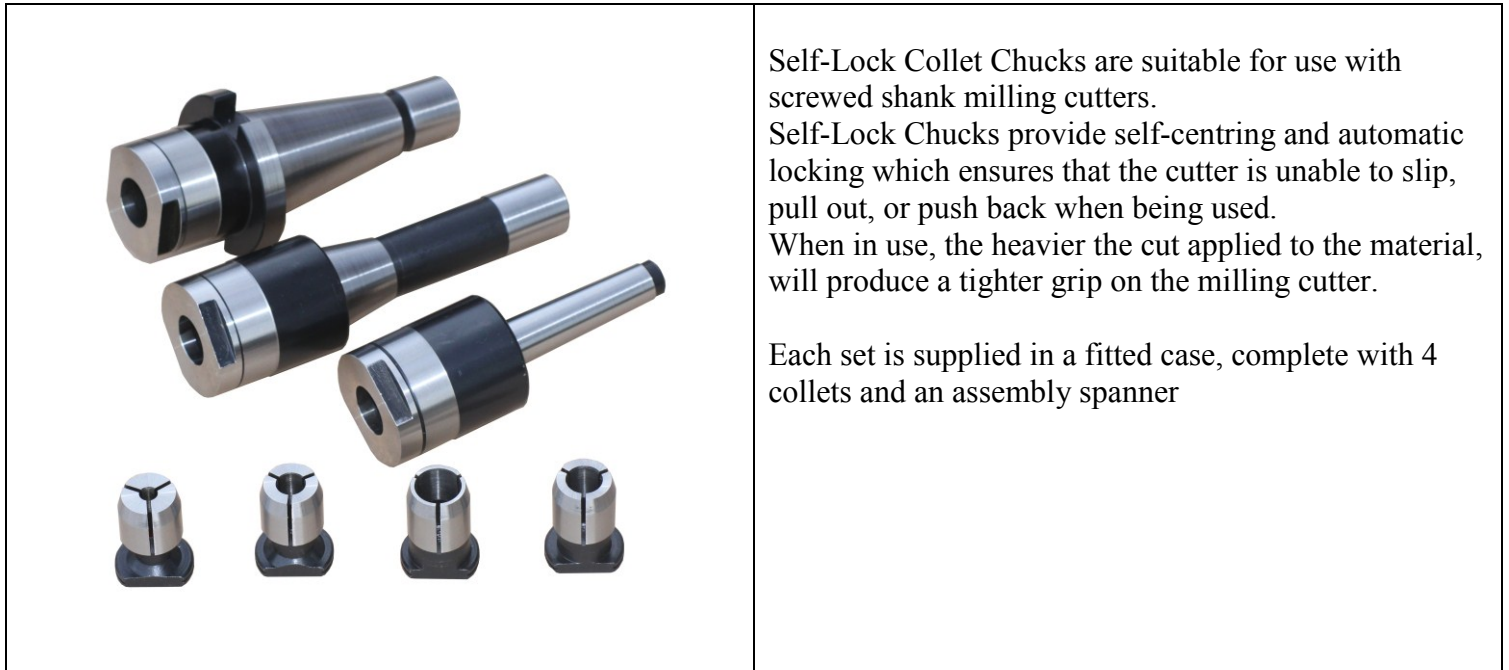


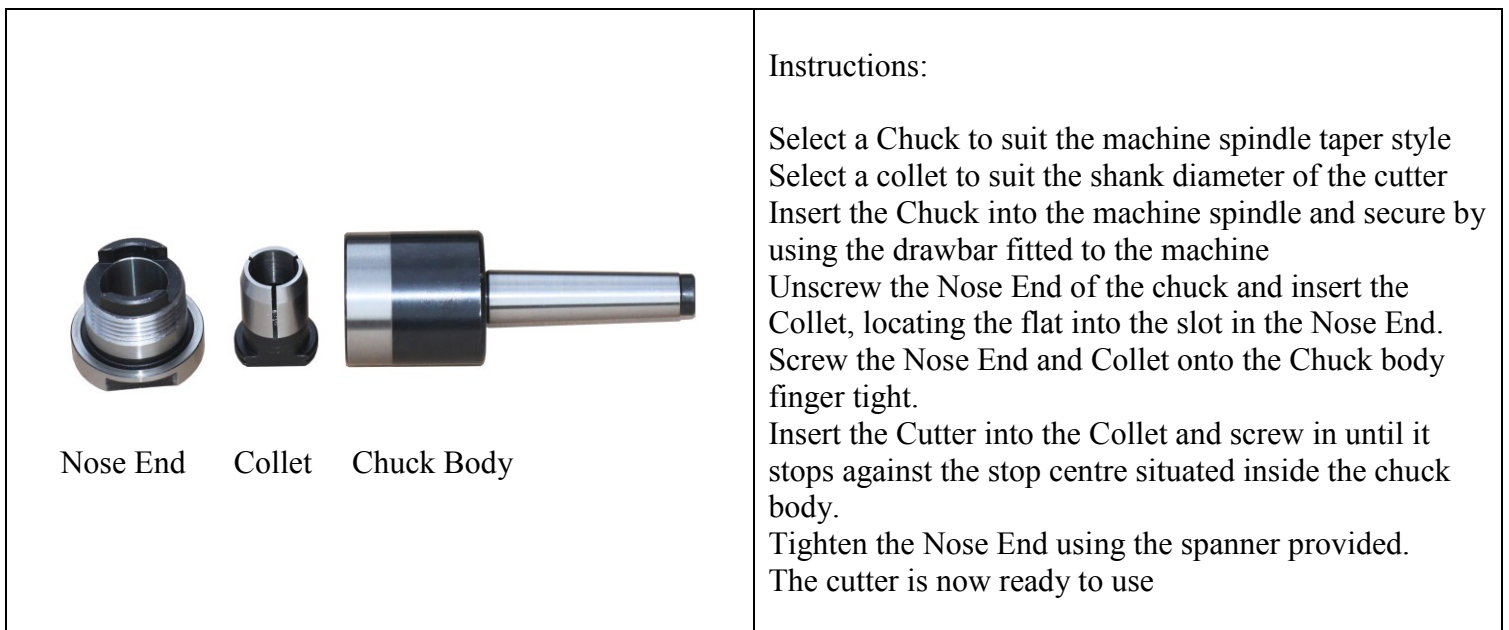
## Self-Lock Collet Chucks

Page 1 of 3



Self-Lock Collet Chucks are suitable for use with screwed shank milling cutters. Self-Lock Chucks provide self-centring and automatic locking which ensures that the cutter is unable to slip, pull out, or push back when being used. When in use, the heavier the cut applied to the material, will produce a tighter grip on the milling cutter.

Each set is supplied in a fitted case, complete with 4 collets and an assembly spanner



Nose End    Collet    Chuck Body

## Instructions:

Select a Chuck to suit the machine spindle taper style  
 Select a collet to suit the shank diameter of the cutter  
 Insert the Chuck into the machine spindle and secure by using the drawbar fitted to the machine

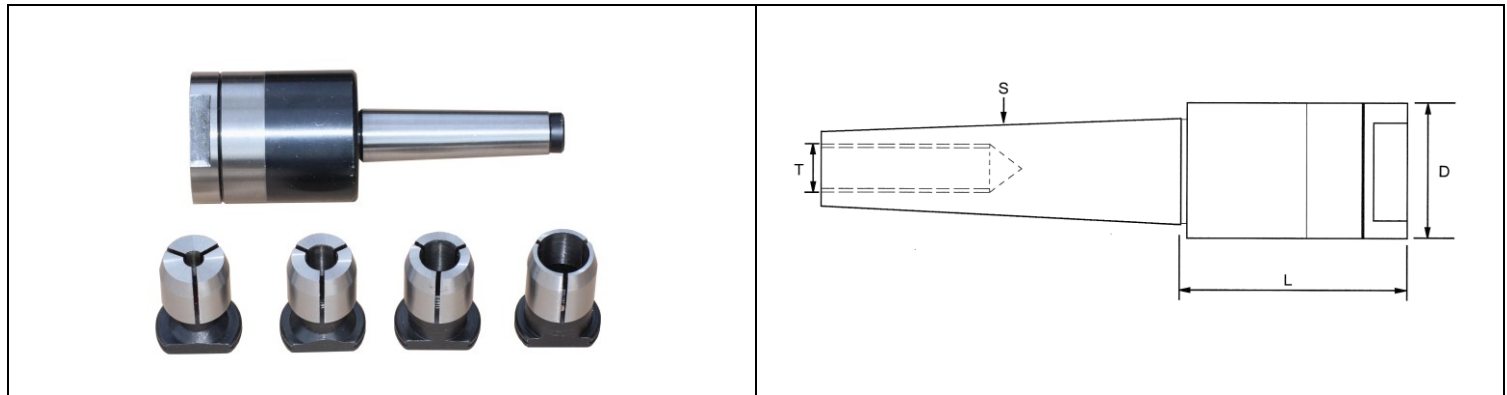
Unscrew the Nose End of the chuck and insert the Collet, locating the flat into the slot in the Nose End. Screw the Nose End and Collet onto the Chuck body finger tight.

Insert the Cutter into the Collet and screw in until it stops against the stop centre situated inside the chuck body.

Tighten the Nose End using the spanner provided.  
 The cutter is now ready to use

Self-Lock Collet Chucks

Self-Lock Collet Chuck: MT-2 Taper Shank

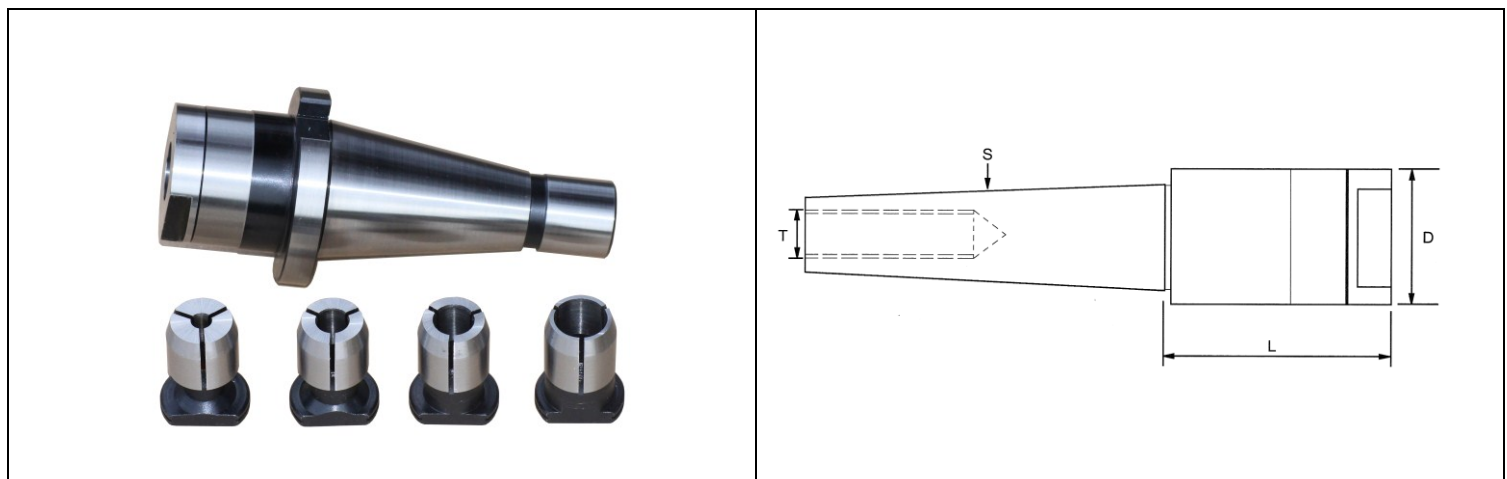


Code	Type	Shank S	Collets	Cutter Range	Drawbar Thread T	D mm	L mm
91-020-020	Metric	MT-2	6, 10, 12 & 16mm	1.5 – 20mm	M10	44	58

Packed Weight and Dimensions

Code	Description	Weight g	W mm	H mm	L mm
91-020-020	Self-Lock Collet Chuck: MT-2 Taper Shank	1890	215	90	280

Self-Lock Collet Chuck: 40-INT Taper Shank



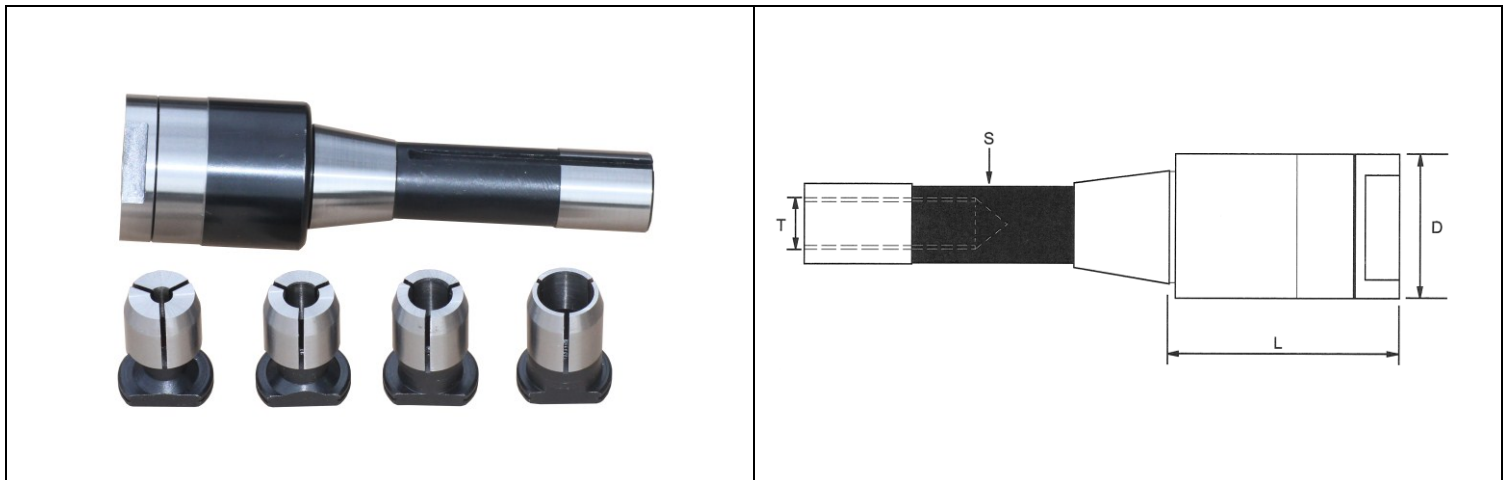
Code	Type	Shank S	Collets	Cutter Range	Drawbar Thread T	D mm	L mm
91-400-020	Metric	40-INT	6, 10, 12 & 16mm	1.5 – 20mm	M16	44	50

Packed Weight and Dimensions

Code	Description	Weight g	W mm	H mm	L mm
91-400-020	Self-Lock Collet Chuck: 40 INT Taper Shank	2300	215	90	280

Self-Lock Collet Chucks

Self-Lock Collet Chuck: R8 Shank



Code	Type	Shank S	Collets	Cutter Range	Drawbar Thread T	D mm	L mm
91-008-020	Inch	R8	1/4, 3/8, 1/2, & 5/8 in	1/16 – 25/32 in	7/16" UNF	44	58

Packed Weight and Dimensions

Code	Description	Weight g	W mm	H mm	L mm
91-400-020	Self-Lock Collet Chuck: R8 Shank	2164	215	90	280