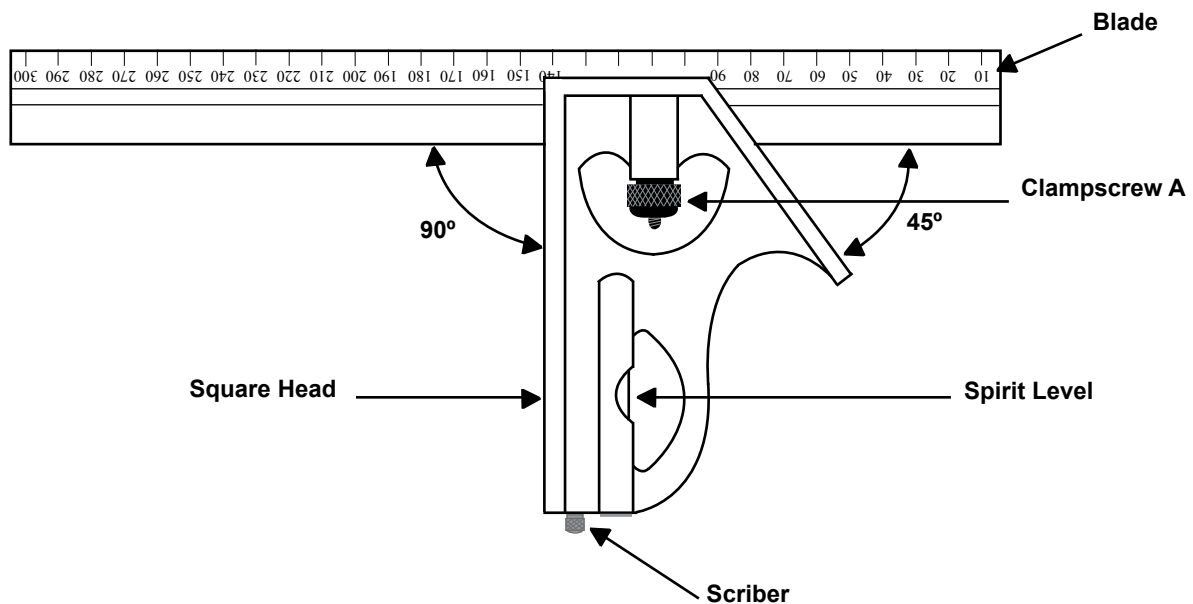


COMBINATION SETS

Square Head

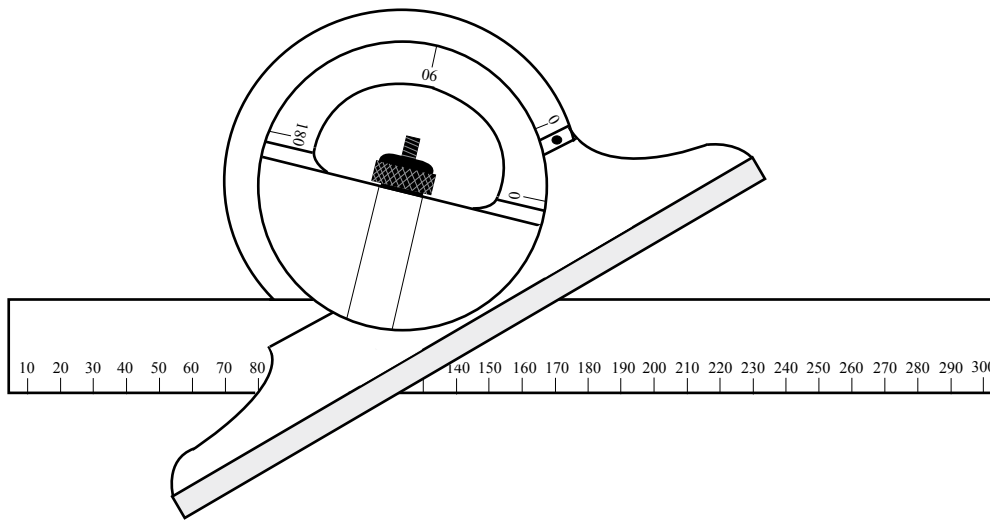
- 90° and 45° angles, Integral Spirit level and scribing point
- Precision ground on their working surfaces and have hardened surfaces
- All heads are hardened & have a blue stove enamelled finish

- Squareness Tolerance +/- 0.004"
- Hardness of head HRC 40 PLUS



**Protractor Head**

- *Integral Spirit level*
- *Graduated 0-180° in both directions and reversible*
- *All heads have a blue stove enamelled finish*

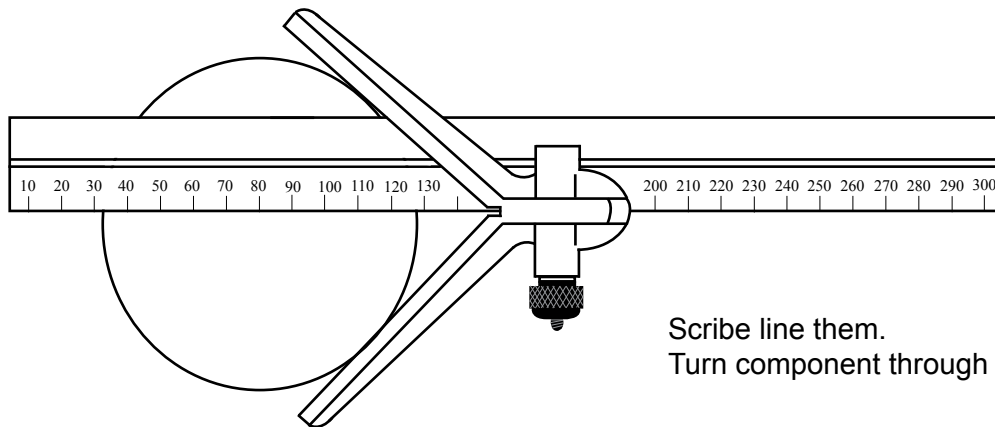


- Angle accuracy +/- 1/2°

Centre Head

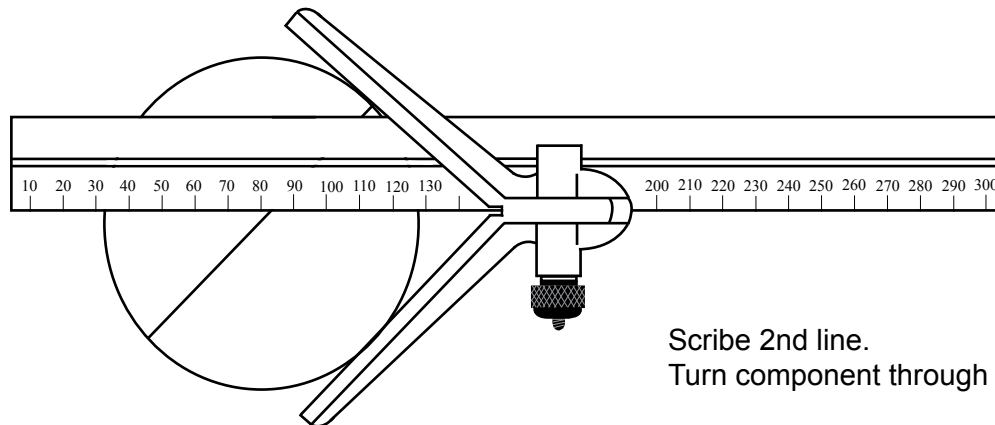
- Provides centre position on diameters up to 105mm / 4-1/4"
- Precision ground on their working surfaces and have hardened surfaces
- All heads are hardened & have a blue stove enamelled finish

1



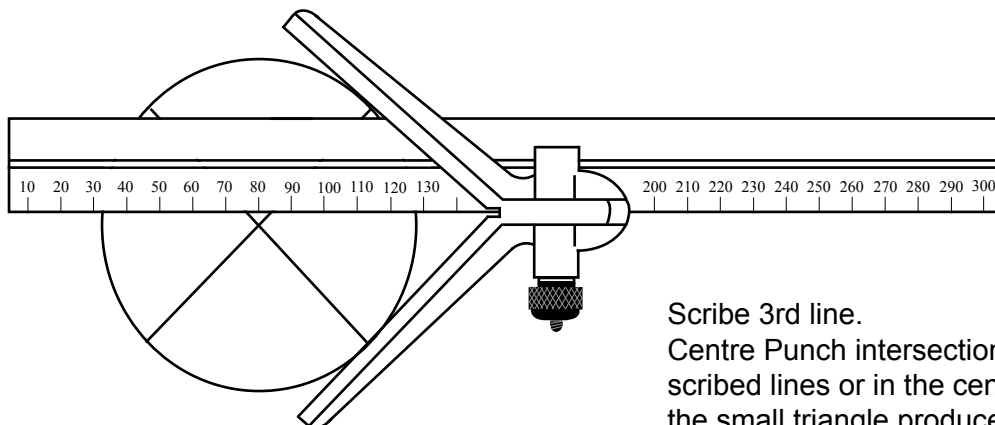
Scribe line them.  
Turn component through 120°.

2



Scribe 2nd line.  
Turn component through 120°.

3



Scribe 3rd line.  
Centre Punch intersection of 3  
scribed lines or in the centre of  
the small triangle produced.