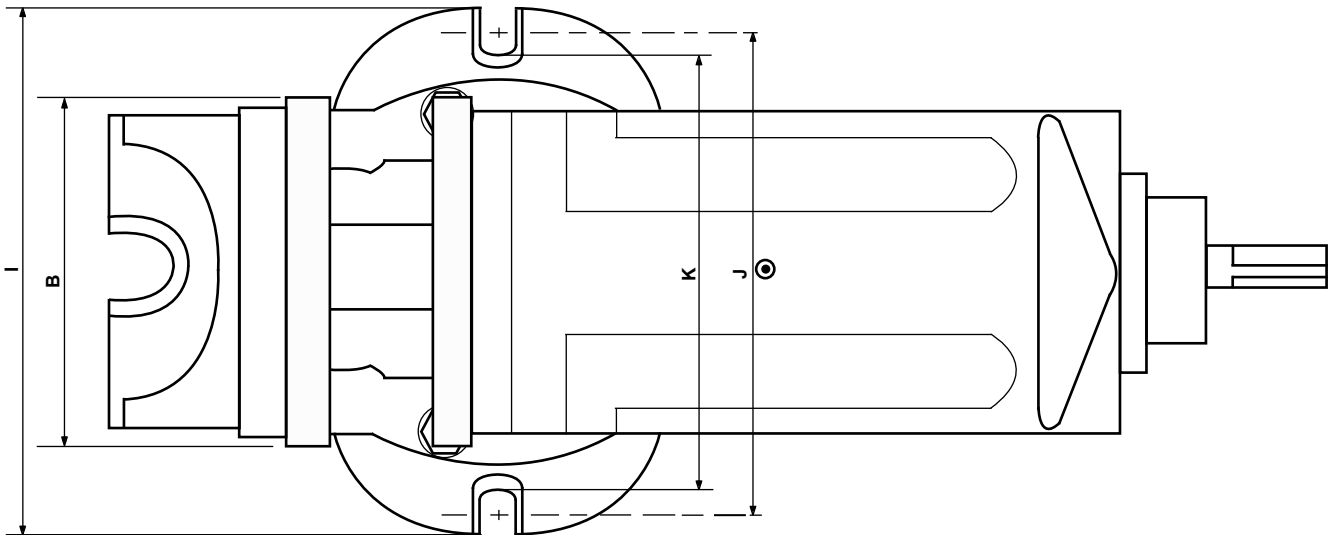
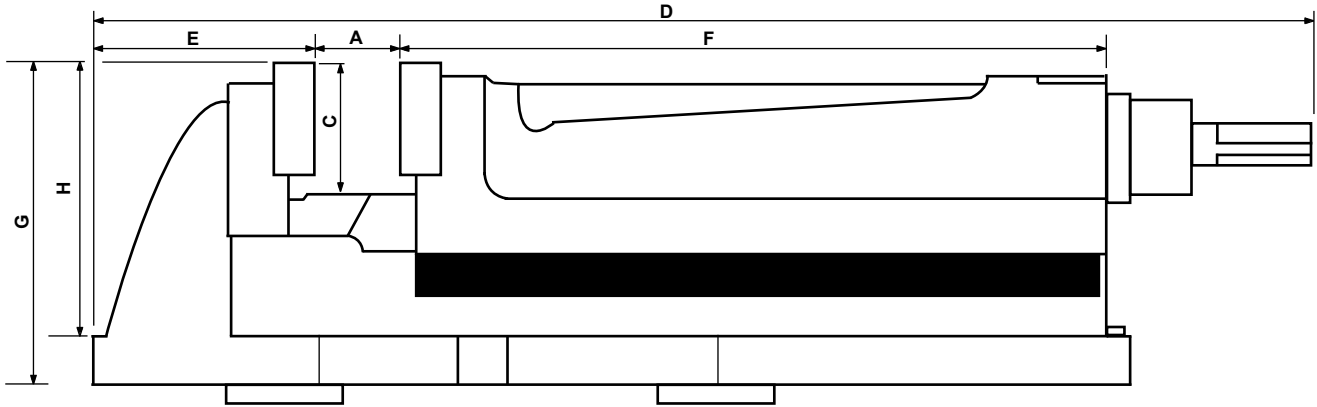


Precision Milling Vice



Description

- * Heavy duty precision milling vice
- * Used in milling, shaping & drilling machines
- * Parallelism of sliding surface to base 0.025mm/100mm
- * Parallelism of jaws 0.03mm/100mm

Dimensions

CODE	A-MAX	B	C	D-MIN	D-MAX	E	F	G	H	I	J	K	WEIGHT
52-865-100	80	100	35	260	345	57	202	80	68	116	93	81	8kg
52-865-160	125	160	52	410	540	82	240	123	103	200	170	140	30kg