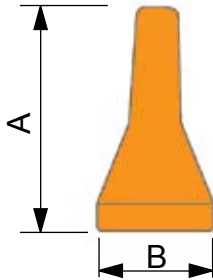


Linear-LOC

ROUND NOZZLES



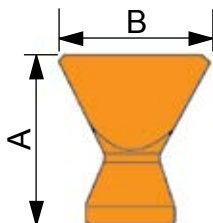
1/4" system

Linear Code	Description	A(mm)	B(mm)
CS-100-158	1/16" Round Nozzle	30	16
CS-100-160	1/8" Round Nozzle	30	16
CS-100-162	1/4" Round Nozzle	35	16

1/2" system

Linear Code	Description	A(mm)	B(mm)
CS-100-266	1/4" Round Nozzle	37	25
CS-100-268	3/8" Round Nozzle	37	25
CS-100-267	1/2" Round Nozzle	37	25

FLARED NOZZLES



1/4" system

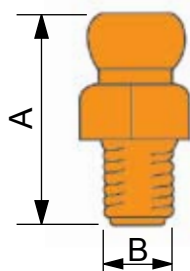
Linear Code	Description	A(mm)	B(mm)
CS-100-174	1" Flared Nozzle	30	28

1/2" system

Linear Code	Description	A(mm)	B(mm)
CS-100-280	1 1/4" Flared Nozzle	30	34

Linear-LOC

NPT CONNECTORS



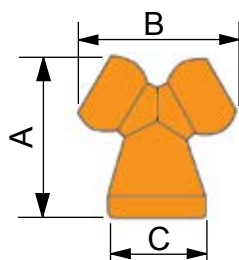
1/4" system

Linear Code	Description	A _(mm)	B
CS-100-178	1/8" NPT Connector	26	1/8 NPT
CS-100-182	1/4" NPT Connector	26	1/4 NPT

1/2" system

Linear Code	Description	A _(mm)	B
CS-100-288	3/8" NPT Connector	38	3/8 NPT
CS-100-292	1/2" NPT Connector	38	1/2 NPT

Y FITTINGS



1/4" system

Linear Code	Description	A _(mm)	B _(mm)	C _(mm)
CS-100-184	1/4" Y Fitting	27	27	16

1/2" system

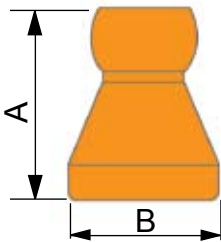
Linear Code	Description	A _(mm)	B _(mm)	C _(mm)
CS-100-294	1/2" Y Fitting	44	50	25

Linear-LOC

Y REDUCER

1/2" system

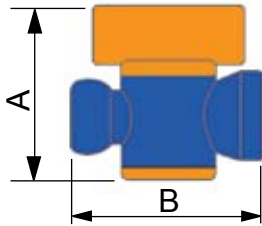
1/2 - 1/4" reducer



Linear Code	Description	A(mm)	B(mm)
CS-100-298	1/2" - 1/4" Straight Reducer	34	25

Linear-LOC

IN-LINE VALVES



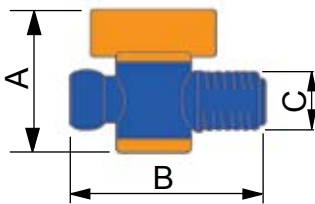
1/4" system

Linear Code	Description	A(mm)	B(mm)
CS-100-206	1/4" In Line Valve	31	35

1/2" system

Linear Code	Description	A(mm)	B(mm)
CS-100-310	1/2" In Line Valve	41	58

MALE NPT VALVES



1/4" system

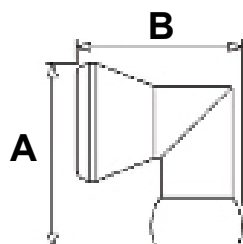
Linear Code	Description	A(mm)	B(mm)	C
CS-100-210	1/4" NPT Valve (male)	31	41	1/4" NPT

1/2" system

Linear Code	Description	A(mm)	B(mm)	C
CS-100-314	1/2" NPT Valve (male)	41	61	1/2" NPT

Linear-LOC

Elbow Fittings



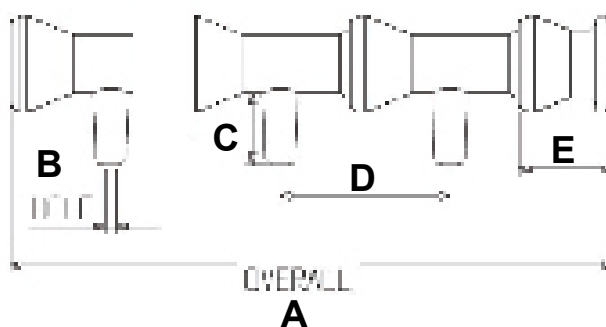
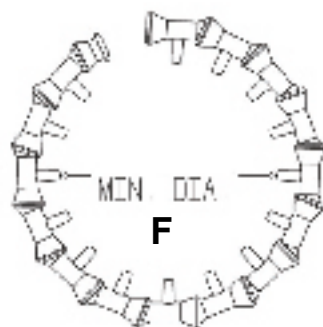
1/4" system

Linear Code	Description	A(mm)	B(mm)
CS-100-190	1/4" Elbow Fitting	26	23

1/2" system

Linear Code	Description	A(mm)	B(mm)
CS-100-302	1/2" Elbow Fitting	38	34

Circle Flow Assembly



1/4" system

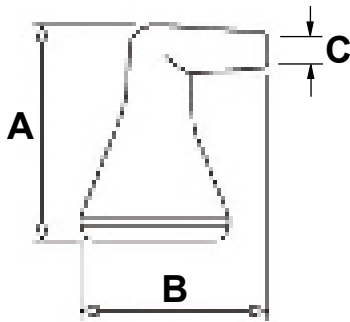
Linear Code	Description	A(mm)	B(mm)	C(mm)	D(mm)	E(mm)	F(mm)
CS-100-152	1/4" Circle Flow Kit	434	1.9	11	28	17	110

1/2" system

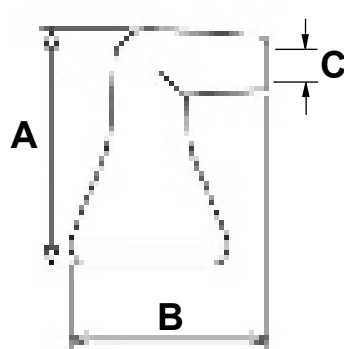
Linear Code	Description	A(mm)	B(mm)	C(mm)	D(mm)	E(mm)	F(mm)
CS-100-260	1/2" Circle Flow Kit	605	3.36	12	38	20	165

Linear-LOC

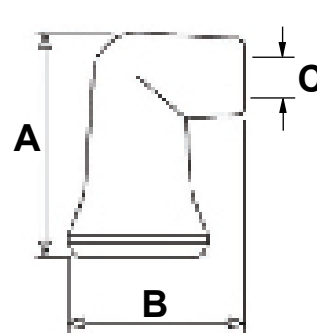
90° Nozzle Kit



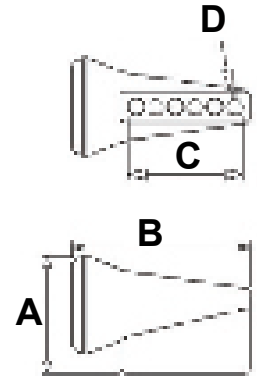
SMALL



MEDIUM



LARGE



SPRAY BAR

1/4" system

Linear Code	Description	A(mm)	B(mm)	C(mm)
CS-100-157	1/4" Small 90° Nozzle	25	20	1.90
	1/4" Medium 90° Nozzle	25	20	3.60
	1/4" Large 90° Nozzle	26	20	6.10

Linear Code	Description	A(mm)	B(mm)	C(mm)	D(mm)
CS-100-157	1/4" Spray Bar	19	30	19	2.3

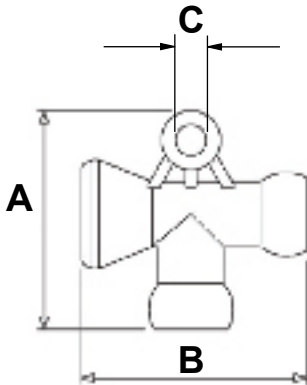
1/2" system

Linear Code	Description	A(mm)	B(mm)	C(mm)
CS-100-265	1/2" Small 90° Nozzle	30	36	6.8
	1/2" Medium 90° Nozzle	30	37	9.5
	1/2" Large 90° Nozzle	30	39	12.5

Linear Code	Description	A(mm)	B(mm)	C(mm)	D(mm)
CS-100-265	1/2" Spray Bar	31	57	43	4.2

Linear-LOC

T Fitting



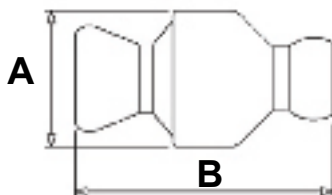
1/4" system

Linear Code	Description	A(mm)	B(mm)	C(mm)
CS-100-192	1/4" T Fitting	32	34	4.75

1/2" system

Linear Code	Description	A(mm)	B(mm)	C(mm)
CS-100-304	1/2" T Fitting	44	48	4.75

In-Line Check Valve



1/4" system

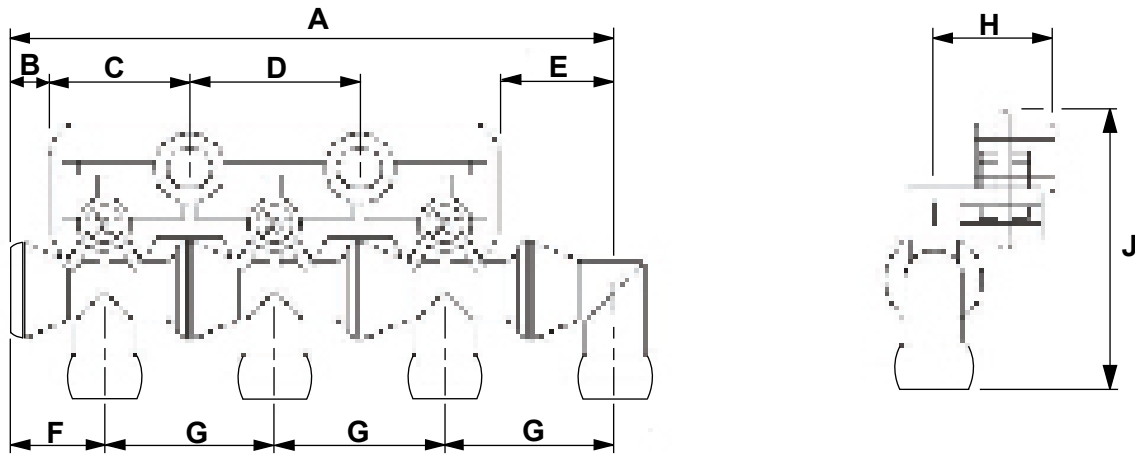
Linear Code	Description	A(mm)	B(mm)
CS-100-218	1/4" Non Return Value	21	41

1/2" system

Linear Code	Description	A(mm)	B(mm)
CS-100-322	1/2" Non Return Value	24	47.5

Linear-LOC

Manifold Set



1/4" system

Linear Code	Description	A(mm)	B(mm)	C(mm)	D(mm)	E(mm)	F(mm)	G(mm)	H(mm)	J(mm)
CS-100-220	1/4" Manifold System	102	86	23	28	20	17	28	20	44

Linear-LOC

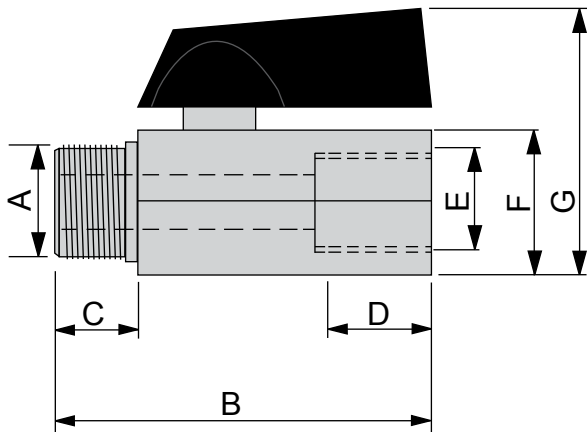
METAL BALL VALVE

Suitable for domestic water services, heating, air-conditioning plants and compressed air systems.

Min. Working Temperature: 0°C

Max. Working Temperature: 90°C

Valve body manufactured from brass with bright chrome finish.



Linear Code	A	B(mm)	C(mm)	D(mm)	E(mm)	F(mm)	G(mm)
CS-100-408	1/8" NPT	35	9	9	1/8" NPT	20	35
CS-100-416	1/4" NPT	40	12	12	1/4" NPT	20	35
CS-100-424	3/8" NPT	40	12	12	3/8" NPT	20	35
CS-100-432	1/2" NPT	45	12	12	1/2" NPT	25	42

Working Pressure 15kg/cm² - bar / 220 psi