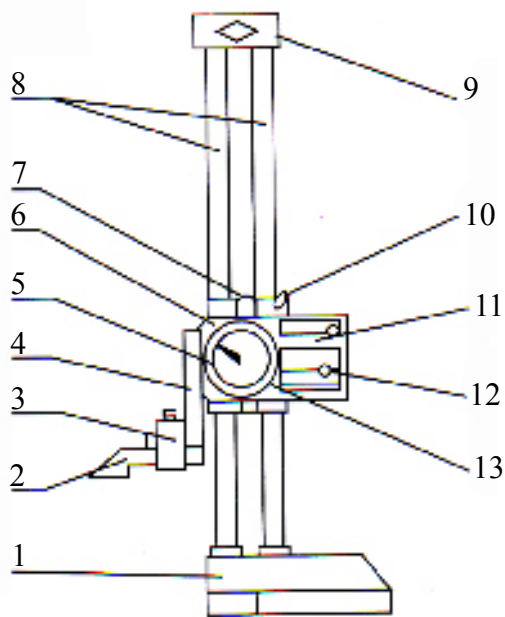


Mechanical Digit / Dial Height Gauge

Fig 1



- (1) Base
- (2) Scriber Point
- (3) Scriber Holder
- (4) Scribing Frame
- (5) Dial
- (6) Slider
- (7) Measuring Hand Wheel
- (8) Columns
- (9) Fixing Piece
- (10) Locking Switch
- (11) Counter
- (12) Zero Setting Button
- (13) Dial Bezel

Fig. 2

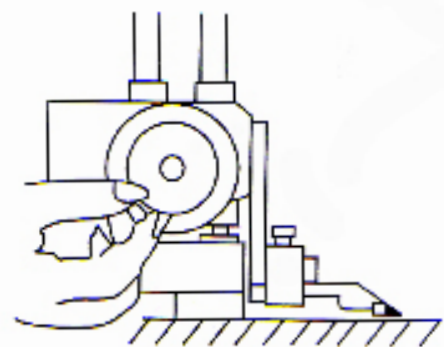


Fig 3

