



LDS1569

Last Update: 09/09/2023

## Datasheet Angle Finder Protractor



### Technical:

- Angle Finder Protractor
- Used to check/inspect internal and external angles
- Made of stainless steel 1.2mm thick with polished finish
- Head size: 58mm x 113mm
- All three rotating arms can be tightened by central locking mechanism
- All markings are permanent etched and coloured black
- Measures angles from 0-180°
- Graduated in 1° increments
- Accuracy  $\pm 1/2^\circ$  (30')

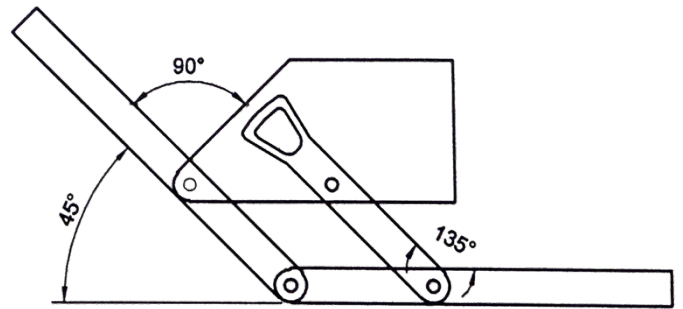
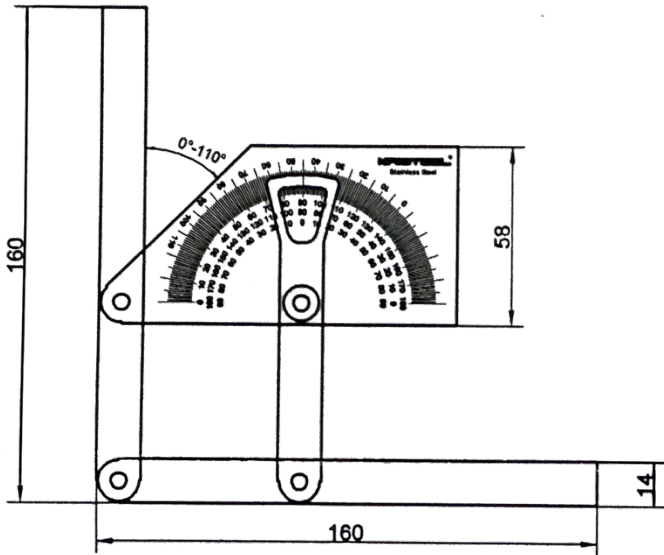
Tool specifications		
Arm Length	Arm Width	Arm Thickness
160mm	14mm	1.2mm

Order Code	Manufacturers Code	Description
51-555-180	51-555-180	Angle Finder Protractor

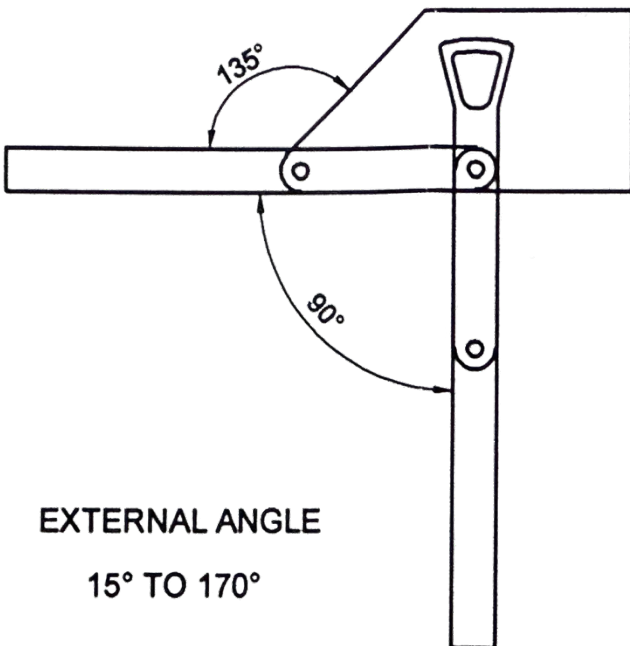


LDS1569

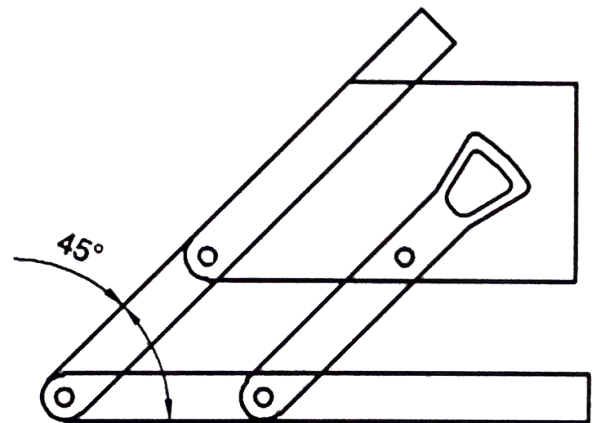
Last Update: 09/09/2023



EXTERNAL ANGLE  
15° TO 170°



EXTERNAL ANGLE  
15° TO 170°



INTERNAL ANGLE  
15° TO 165°